



IMP PUMPS[®]

Intelligent Motor Pumps

www.imp-pumps.com

75
YEARS



NMT PUMPS

*Electronically controlled high-efficiency pumps
for heating, air conditioning, cooling and drinking water*



**THE GOLDEN GAZELLE
OF SLOVENIA
2023**

INDEX

ErP REGULATION	PAGE 2
ABOUT THE COMPANY	PAGE 3
ABOUT PRODUCTS	PAGE 4
HIGH-EFFICIENCY PUMPS	
NMT MINI	PAGE 5
NMT SMART II	PAGE 19
NMT MAX II	PAGE 32
SANITARY WATER PUMPS	
SANECO PRO	PAGE 50
SAN	PAGE 52
SANbasic II	PAGE 54
THE HOME PRESSURE BOOSTER	
NMT PLUS COMFORT	PAGE 55

ErP REGULATION

ErP Regulation (Energy related Products) translates as energy-relevant products. The objective of this Regulation 2009 125 EC, is to reduce energy consumption according to the environmental requirements that are being introduced in the EU in the field of circulation pumps in 2013. In the course of the next seven years the Regulation will be put into practice in the following three steps:

- The first step from 01/08 in 2015 for the energy index up to (max.) 0.23 - Part 2
- The second step from 01/01/2020 for the energy index up to (max.) 0.23 - Part 2 – including pumps, which are being replaced in HVAC systems
The benchmark for most efficient circulators is $EEL \leq 0,15$ - Part 2.

The IMP PUMPS meet environmental requirements according to ErP regulation with high-efficiency pumps with affordable prices.

GENERAL INFORMATION

ALL PRODUCTS AND COMPONENTS ARE MANUFACTURED FROM ENVIRONMENTALLY FRIENDLY MATERIALS.

UPON DISPOSAL INTERNAL ENVIRONMENTAL REGULATION MUST BE CONSIDERED.

FURTHER INFORMATION ON ALL PUMPING PROGRAMS WITH TECHNICAL DATA ARE AVAILABLE ON WWW.IMP-PUMPS.COM

GENERAL SALES CONDITIONS AND TERMS OF PAYMENT – DEPENDING ON THE AGREEMENT WITH THE FIRM IMP PUMPS.

IMAGES IN CATALOGUE ARE FOR ILLUSTRATIVE PURPOSES ONLY.

TECHNICAL ADJUSTMENTS AND REVISIONS ARE NOT PERMITTED!



ABOUT US

Discover the essence of pumping excellence at IMP PUMPS, a high-tech Slovenian manufacturer. Our core expertise lies in the holistic process of designing, developing, manufacturing, distributing, and maintaining state-of-the-art pumps and pumping systems. Beyond our proprietary offerings, we forge strategic partnerships to provide integrated solutions that redefine industry benchmarks. Our impact extends globally, with over 96% of our meticulously crafted pumps reaching customers in more than 80 countries. Pioneering innovation is in our DNA, particularly evident in our groundbreaking NMT MIINI world's most energy-efficient circulating pump. We proudly hold the ISO 9001:2015 quality certificate, a testament to our dedication to delivering products and services of the highest standards. Choose IMP PUMPS as your trusted partner for a future where pumping technology meets precision, every drop matters and every solution reflects our relentless pursuit of quality and innovation.

HISTORY

Established in 1947 under the IMP umbrella, IMP PUMPS charted its independent course post the late 1980s. Surviving economic shifts and the turbulent nineties, the company privatized successfully in 1997 and 1999. A transformative moment came in 2000 with restructuring and renaming as IMP PUMPS d.o.o. Slovenia's EU entry fueled intensive sales network development in the changing European market, directly and through key partners. This period saw significant investments in development, marketing, information technology, and e-commerce philosophy, positioning IMP PUMPS at the forefront of HVAC industry evolution.

PRESENT

IMP PUMPS spans global markets, serving Europe, North and South America, Asia, Africa, and Australia. Our focus on elevating pump efficiency is evident in the groundbreaking NMT pump series, utilizing permanent magnet technology for superior efficiency.

As one of the pioneers in HVAC industry, we're among the select European manufacturers introducing a new era of pumps with electronically controlled wet running motors. This innovation places IMP PUMPS at the forefront of Europe's technological elite. Choose us for a future where efficiency meets global impact.

IMP PUMPS has been awarded the prestigious Golden Gazelle of Slovenia for the year 2023. The award for best and fastest-growing Slovenian company, a testament to our dedication to excellence and innovation.

FUTURE

At IMP PUMPS, we have a global team that understands the impact of our role in development and the environment. We are committed to energy efficiency and our products prioritize the future. We continuously innovate to create cost-effective pumps and intelligent solutions.

Our goal is to expand globally and secure a top position among Europe's circulator pump manufacturers. We work by our motto, "The honest product for the honest price," and ensure excellent quality at customer-friendly prices. We apply the latest technologies and are dedicated to providing faster service to our customers.

Choose IMP PUMPS for a future defined by quality, partnership, fast service and innovation.

Product overview

At IMP PUMPS, we specialize in the production of top-quality pumps that are specifically designed for HVAC applications. We offer a wide range of pump styles to suit your needs, including multiple options of flanged and threaded connections. Pumps can be designed as either single or double motor models. Furthermore, we provide you with the flexibility of choosing the hydraulic casing material including options such as: stainless steel, bronze, or cast iron. All of our cast iron hydraulics come with a highly durable cathaphoresis coating that ensures long-lasting performance and reliability.

Wet running circulating pumps



NMT (one of the most energy efficient circulation pump families in the world)



SAN - for drinking and domestic supply water systems



GHN (3-speed pumps)

Dry running circulating pump

PPT BL (pressure boosting unit)



CL, ECL, CV, PV
(in-line,
also available with frequency converter)



BL, BWJ
(multistage)



NMT MINI



NMT SAN MINI PRO XX / XX - XXX



**MOST EFFICIENT
CIRCULATING
PUMP ON THE
MARKET**



Technical specification	
Flow range, Q	up to 5,8 m ³ /h
Head range, H	up to 10 m
Nominal pressure	PN 10
Installation	threaded
Pipe thread	G1 / G1¼ / G 1½ / G2
Insulation class	F
Degree of protection	IP 44
Voltage	1 ~ 230V, 50 Hz
Port to port length	130/150/180 mm

Material	
Hydraulic casing	cast iron/stainless steel
Impeller	PES
Shaft	stainless steel AISI 316
Bearings	all carbon
Rotor can	stainless steel AISI 316
Ambient temperature	Medium temperature
25°C	from -10°C to +110°C
30°C	from -10°C to +100°C
35°C	from -10°C to +90°C
40°C	from -10°C to +80°C

NMT MINI FEATURES:

- Dry running detection prevents pump from running when there is no medium
- Ultra-light design meaning the lightest pump only weighs 1.46kg
- Automatic summer mode to prevent blocking during low season
- Robust startup
- Thermal insulation included

Permissible mediums

Water, or water mixed with glycol, parameters must be checked in the mixture of water with over 20% of glycol.

Performance range & operating functions



Auto mode - best operating mode to optimize efficiency and comfort



Night mode - works in combination with all other modes



WiFi mode - communication with the pump by integrated WiFi communication



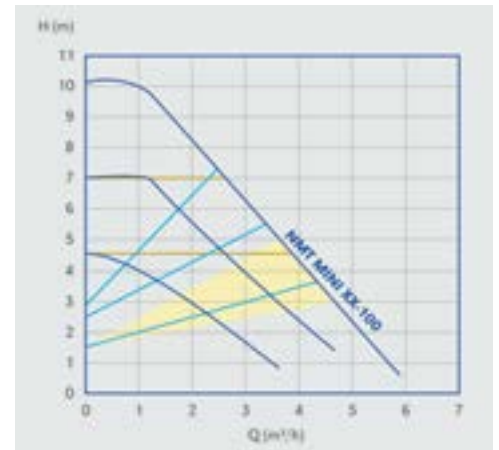
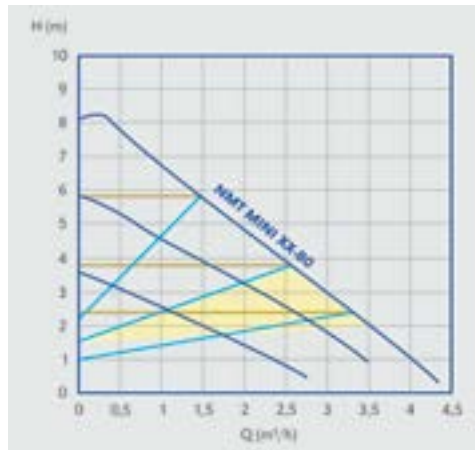
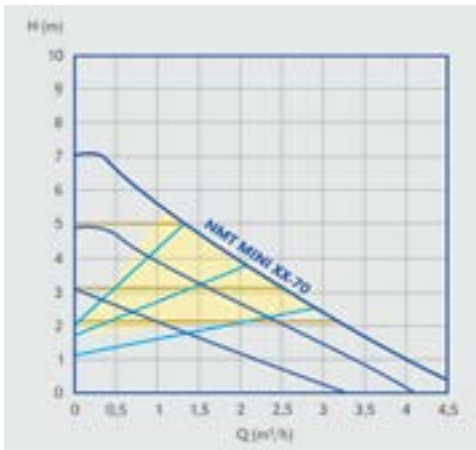
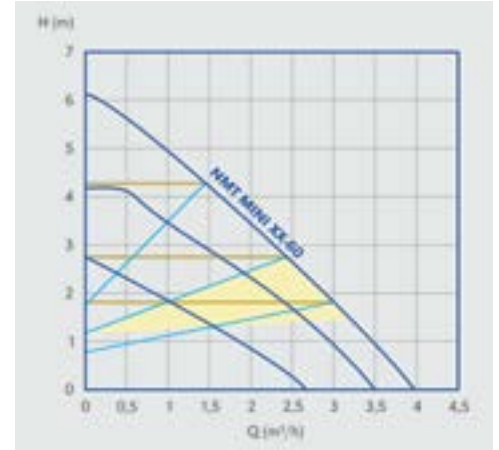
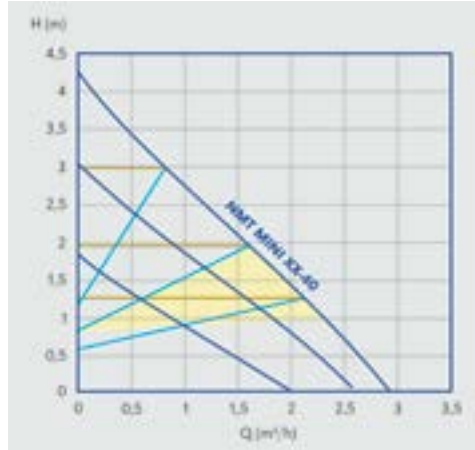
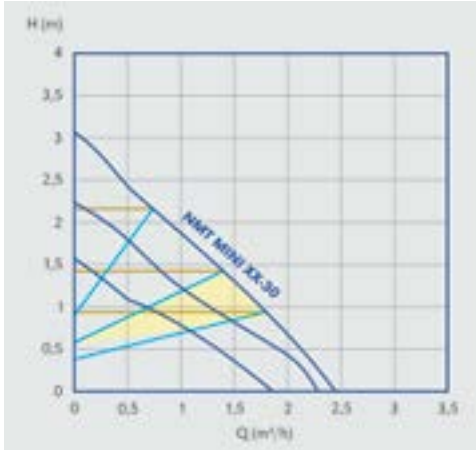
3 proportional-pressure curves for radiator heating



3 constant-pressure curves for floor heating



3 fixed speeds for boiler installation, venting and domestic hot water



Type	P [W]	I [A]	H [m]	Q [m³/h]													
				0,5	1	1,5	2	2,5	3	3,5	4	4,5	5	5,5			
NMT MINI -/30	15	0,16	H [m]	2,4	1,9	1,3	0,7										
NMT MINI -/40	20	0,20		3,4	2,7	2,1	1,4	0,8									
NMT MINI -/60	35	0,35		5,7	5,0	4,2	3,3	2,4	1,5	0,6							
NMT MINI -/70	40	0,35		6,4	5,6	4,8	4,0	3,2	2,5	1,8	1,1	0,4					
NMT MINI -/80	50	0,50		7,6	6,7	5,8	4,9	4,0	3,0	2,1	1,1	0,2					
NMT MINI -/100	90	0,70		10,1	9,7	9,1	8,3	7,4	6,4	5,4	4,3	3,2	2,2	1,3			

NMT MINI

Code	Type	EEI	Port to port length [mm]	Pipe thread	P _{max} [W]	Weight [kg]
979525345	NMT MINI 15/30-130	≤ 0,12	130	G 1	15	1,46
979525346	NMT MINI 15/40-130	≤ 0,13	130	G 1	20	1,46
979525347	NMT MINI 15/60-130	≤ 0,16	130	G 1	35	1,46
979527221	NMT MINI 15/70-130	≤ 0,18	130	G 1	40	1,46
979525348	NMT MINI 15/80-130	≤ 0,18	130	G 1	50	1,46
979527677	NMT MINI 15/100-130	≤ 0,18	130	G1	90	1,46
979525349	NMT MINI 20/30-130	≤ 0,12	130	G 1¼	15	1,55
979525350	NMT MINI 20/40-130	≤ 0,13	130	G 1¼	20	1,55
979525351	NMT MINI 20/60-130	≤ 0,16	130	G 1¼	35	1,55
979525352	NMT MINI 20/80-130	≤ 0,18	130	G 1¼	50	1,55
979527679	NMT MINI 20/100-130	≤ 0,18	130	G 1¼	90	1,55
979525353	NMT MINI 25/30-130	≤ 0,12	130	G 1½	15	1,65
979525354	NMT MINI 25/40-130	≤ 0,13	130	G 1½	20	1,65
979525355	NMT MINI 25/60-130	≤ 0,16	130	G 1½	35	1,65
979527224	NMT MINI 25/70-130	≤ 0,18	130	G 1½	40	1,65
979525356	NMT MINI 25/80-130	≤ 0,18	130	G 1½	50	1,65
979527681	NMT MINI 25/100-130	≤ 0,18	130	G 1½	90	1,65
979525366	NMT MINI 20/40-180	≤ 0,13	180	G 1¼	20	1,66
979525367	NMT MINI 20/60-180	≤ 0,16	180	G 1¼	35	1,66
979525368	NMT MINI 20/80-180	≤ 0,18	180	G 1¼	50	1,66
979527683	NMT MINI 20/100-180	≤ 0,18	180	G 1¼	90	1,66
979525370	NMT MINI 25/40-180	≤ 0,13	180	G 1½	20	1,73
979525371	NMT MINI 25/60-180	≤ 0,16	180	G 1½	35	1,73
979527226	NMT MINI 25/70-180	≤ 0,18	180	G 1½	40	1,73
979525372	NMT MINI 25/80-180	≤ 0,18	180	G 1½	50	1,73
979527685	NMT MINI 25/100-180	≤ 0,18	180	G 1½	90	1,73
979525374	NMT MINI 32/40-180	≤ 0,13	180	G 2	20	1,93
979525375	NMT MINI 32/60-180	≤ 0,16	180	G 2	35	1,93
979527228	NMT MINI 32/70-180	≤ 0,18	180	G 2	40	1,93
979525376	NMT MINI 32/80-180	≤ 0,18	180	G 2	50	1,93
979527687	NMT MINI 32/100-180	≤ 0,18	180	G 2	90	1,93



NMT MINI main features:

- Dry running detection prevents the pump from running when there is no medium
- Ultra-light design meaning the lightest pump only weighs 1.46 kg
- Automatic summer mode to prevent blocking during low season
- Robust startup
- 3 proportional-pressure curves for radiator heating
- 3 constant-pressure curves for floor heating
- 3 fixed speeds for boiler installation, venting, and domestic hot water
- Thermal insulation included

NMT MINI PLUS

Code	Type	EEl	Port to port length [mm]	Pipe thread	P _{max} [W]	Weight [kg]
979525900	NMT MINI PLUS 15/40-130	≤ 0,13	130	G 1	20	1,46
979525901	NMT MINI PLUS 15/60-130	≤ 0,16	130	G 1	35	1,46
979525902	NMT MINI PLUS 15/80-130	≤ 0,18	130	G 1	50	1,46
979525904	NMT MINI PLUS 20/40-130	≤ 0,13	130	G 1¼	20	1,55
979525905	NMT MINI PLUS 20/60-130	≤ 0,16	130	G 1¼	35	1,55
979525906	NMT MINI PLUS 20/80-130	≤ 0,18	130	G 1¼	50	1,55
979525908	NMT MINI PLUS 25/40-130	≤ 0,13	130	G 1½	20	1,65
979525909	NMT MINI PLUS 25/60-130	≤ 0,16	130	G 1½	35	1,65
979525910	NMT MINI PLUS 25/80-130	≤ 0,18	130	G 1½	50	1,65
979525912	NMT MINI PLUS 20/40-180	≤ 0,13	180	G 1¼	20	1,66
979525913	NMT MINI PLUS 20/60-180	≤ 0,16	180	G 1¼	35	1,66
979525914	NMT MINI PLUS 20/80-180	≤ 0,18	180	G 1¼	50	1,66
979525916	NMT MINI PLUS 25/40-180	≤ 0,13	180	G 1½	20	1,73
979525917	NMT MINI PLUS 25/60-180	≤ 0,16	180	G 1½	35	1,73
979525918	NMT MINI PLUS 25/80-180	≤ 0,18	180	G 1½	50	1,73
979525920	NMT MINI PLUS 32/40-180	≤ 0,13	180	G 2	20	1,93
979525921	NMT MINI PLUS 32/60-180	≤ 0,16	180	G 2	35	1,93
979525922	NMT MINI PLUS 32/80-180	≤ 0,18	180	G 2	50	1,93



NMT MINI PLUS main features:

- Numerical display shows the current operating data of the pump for Power (W)
- Dry running detection prevents the pump from running when there is no medium
- Ultra-light design meaning the lightest pump only weighs 1.46 kg
- Automatic summer mode to prevent blocking during low season
- Robust startup
- 3 proportional-pressure curves for radiator heating
- 3 constant-pressure curves for floor heating
- 3 fixed speeds for boiler installation, venting, and domestic hot water
- Thermal insulation included

NMT MINI PRO

Code	Type	EEI	Port to port length [mm]	Pipe thread	P _{max} [W]	Weight [kg]
979525410	NMT MINI PRO 15/40-130	≤ 0,13	130	G 1	20	1,46
979525411	NMT MINI PRO 15/60-130	≤ 0,16	130	G 1	35	1,46
979525412	NMT MINI PRO 15/80-130	≤ 0,18	130	G 1	50	1,46
979525414	NMT MINI PRO 20/40-130	≤ 0,13	130	G 1¼	20	1,55
979525415	NMT MINI PRO 20/60-130	≤ 0,16	130	G 1¼	35	1,55
979525416	NMT MINI PRO 20/80-130	≤ 0,18	130	G 1¼	50	1,55
979525418	NMT MINI PRO 25/40-130	≤ 0,13	130	G 1½	20	1,65
979525419	NMT MINI PRO 25/60-130	≤ 0,16	130	G 1½	35	1,65
979525420	NMT MINI PRO 25/80-130	≤ 0,18	130	G 1½	50	1,65
979525430	NMT MINI PRO 20/40-180	≤ 0,13	180	G 1¼	20	1,66
979525431	NMT MINI PRO 20/60-180	≤ 0,16	180	G 1¼	35	1,66
979525432	NMT MINI PRO 20/80-180	≤ 0,18	180	G 1¼	50	1,66
979525434	NMT MINI PRO 25/40-180	≤ 0,13	180	G 1½	20	1,73
979525435	NMT MINI PRO 25/60-180	≤ 0,16	180	G 1½	35	1,73
979525436	NMT MINI PRO 25/80-180	≤ 0,18	180	G 1½	50	1,73
979525438	NMT MINI PRO 32/40-180	≤ 0,13	180	G 2	20	1,93
979525439	NMT MINI PRO 32/60-180	≤ 0,16	180	G 2	35	1,93
979525440	NMT MINI PRO 32/80-180	≤ 0,18	180	G 2	50	1,93



NMT MINI PRO main features:

- Numerical display shows the current operating data of the pump for: Power (W), Head (h), and Flow (m³/h)
- Auto mode best operating mode to optimize efficiency and comfort
- Night mode - in combination with other modes
- Dry running detection prevents the pump from running when there is no medium
- Ultra-light design meaning the lightest pump only weighs 1.46 kg
- Automatic summer mode to prevent blocking during low season
- Robust startup
- 3 proportional-pressure curves for radiator heating
- 3 constant-pressure curves for floor heating
- 3 fixed speeds for boiler installation, venting, and domestic hot water
- Thermal insulation included

NMT MINI PRO WIFI

Code	Type	EEI	Port to port length [mm]	Pipe thread	P _{max} [W]	Weight [kg]
979525671	NMT MINI PRO WIFI 15/40-130	≤ 0,13	130	G 1	20	1,46
979525672	NMT MINI PRO WIFI 15/60-130	≤ 0,16	130	G 1	35	1,46
979525673	NMT MINI PRO WIFI 15/80-130	≤ 0,18	130	G 1	50	1,46
979525675	NMT MINI PRO WIFI 20/40-130	≤ 0,13	130	G 1¼	20	1,55
979525676	NMT MINI PRO WIFI 20/60-130	≤ 0,16	130	G 1¼	35	1,55
979525677	NMT MINI PRO WIFI 20/80-130	≤ 0,18	130	G 1¼	50	1,55
979525679	NMT MINI PRO WIFI 25/40-130	≤ 0,13	130	G 1½	20	1,65
979525680	NMT MINI PRO WIFI 25/60-130	≤ 0,16	130	G 1½	35	1,65
979525681	NMT MINI PRO WIFI 25/80-130	≤ 0,18	130	G 1½	50	1,65
979525691	NMT MINI PRO WIFI 20/40-180	≤ 0,13	180	G 1¼	20	1,66
979525692	NMT MINI PRO WIFI 20/60-180	≤ 0,16	180	G 1¼	35	1,66
979525693	NMT MINI PRO WIFI 20/80-180	≤ 0,18	180	G 1¼	50	1,66
979525695	NMT MINI PRO WIFI 25/40-180	≤ 0,13	180	G 1½	20	1,73
979525696	NMT MINI PRO WIFI 25/60-180	≤ 0,16	180	G 1½	35	1,73
979525697	NMT MINI PRO WIFI 25/80-180	≤ 0,18	180	G 1½	50	1,73
979525699	NMT MINI PRO WIFI 32/40-180	≤ 0,13	180	G 2	20	1,93
979525700	NMT MINI PRO WIFI 32/60-180	≤ 0,16	180	G 2	35	1,93
979525701	NMT MINI PRO WIFI 32/80-180	≤ 0,18	180	G 2	50	1,93



NMT MINI PRO WiFi main features:

- THE FIRST domestic pump in the market with WiFi communication
- Application-free (no need for app installation)
- Compatible with all mobile devices and operating systems
- Connection of multiple pumps on the same WiFi network, and easy access to each pump - remote access to the pump for diagnostics
- Communication with the pump by integrated WiFi
- Numerical display shows the current operating data of the pump for: Power (W), Head (h), and Flow (m³/h)
- Auto mode best operating mode to optimize efficiency and comfort
- Night mode - in combination with other modes
- Dry running detection prevents the pump from running when there is no medium
- Ultra-light design meaning the lightest pump only weighs 1.46 kg
- Automatic summer mode to prevent blocking during low season
- Robust startup
- 3 proportional-pressure curves for radiator heating
- 3 constant-pressure curves for floor heating
- 3 fixed speeds for boiler installation, venting, and domestic hot water
- Thermal insulation included

WiFi CONNECTIVITY

THE FIRST WiFi domestic pump in the market



pump can be up to 300m away from the mobile phone or WiFi network



remote access to the pump enables diagnostic information in case of failure



compatibility with all mobile phones and OS



possibility of weekly calendar setting for sanitary water version (in future firmware updates - coming soon)



the best performance in terms of signal reliability



connect directly to mobile phone or existing WiFi network



connect multiple pumps on same WiFi network - easy access to each pump



no application download needed direct browser access (Chrome/Firefox/Safari/IE Explorer...)



NMT MINI ER

Code	Type	EEI	Port to port length [mm]	Pipe thread	P _{max} [W]	Weight [kg]
979525602	NMT MINI ER 15/40-130	≤ 0,13	130	G 1	20	1,46
979525603	NMT MINI ER 15/60-130	≤ 0,16	130	G 1	35	1,46
979525604	NMT MINI ER 15/80-130	≤ 0,18	130	G 1	50	1,46
979525606	NMT MINI ER 20/40-130	≤ 0,13	130	G 1¼	20	1,55
979525607	NMT MINI ER 20/60-130	≤ 0,16	130	G 1¼	35	1,55
979525608	NMT MINI ER 20/80-130	≤ 0,18	130	G 1¼	50	1,55
979525610	NMT MINI ER 25/40-130	≤ 0,13	130	G 1½	20	1,65
979525611	NMT MINI ER 25/60-130	≤ 0,16	130	G 1½	35	1,65
979525612	NMT MINI ER 25/80-130	≤ 0,18	130	G 1½	50	1,65
979525622	NMT MINI ER 20/40-180	≤ 0,13	180	G 1¼	20	1,66
979525623	NMT MINI ER 20/60-180	≤ 0,16	180	G 1¼	35	1,66
979525624	NMT MINI ER 20/80-180	≤ 0,18	180	G 1¼	50	1,66
979525626	NMT MINI ER 25/40-180	≤ 0,13	180	G 1½	20	1,73
979525627	NMT MINI ER 25/60-180	≤ 0,16	180	G 1½	35	1,73
979525628	NMT MINI ER 25/80-180	≤ 0,18	180	G 1½	50	1,73
979525630	NMT MINI ER 32/40-180	≤ 0,13	180	G 2	20	1,93
979525631	NMT MINI ER 32/60-180	≤ 0,16	180	G 2	35	1,93
979525632	NMT MINI ER 32/80-180	≤ 0,18	180	G 2	50	1,93



NMT MINI ER main features:

- Input 0-10V
- Relay output - error
- Dry running detection prevents the pump from running when there is no medium
- Ultra-light design meaning the lightest pump only weighs 1.46 kg
- Automatic summer mode to prevent blocking during low season
- Robust startup
- 3 proportional-pressure curves for radiator heating
- 3 constant-pressure curves for floor heating
- 3 fixed speeds for boiler installation, venting, and domestic hot water
- Thermal insulation included

NMT MINI PWM

Code	Type	EEI	Port to port length [mm]	Pipe thread	P _{max} [W]	Weight [kg]
979527590	NMT MINI PWM 15/40-130	≤ 0,13	130	G 1	20	1,46
979527591	NMT MINI PWM 15/60-130	≤ 0,16	130	G 1	35	1,46
979527593	NMT MINI PWM 15/80-130	≤ 0,18	130	G 1	50	1,46
979527597	NMT MINI PWM 20/40-130	≤ 0,13	130	G 1¼	20	1,55
979527598	NMT MINI PWM 20/60-130	≤ 0,16	130	G 1¼	35	1,55
979527600	NMT MINI PWM 20/80-130	≤ 0,18	130	G 1¼	50	1,55
979527604	NMT MINI PWM 25/40-130	≤ 0,13	130	G 1½	20	1,65
979527605	NMT MINI PWM 25/60-130	≤ 0,16	130	G 1½	35	1,65
979527607	NMT MINI PWM 25/80-130	≤ 0,18	130	G 1½	50	1,65
979527611	NMT MINI PWM 20/40-180	≤ 0,13	180	G 1¼	20	1,66
979527612	NMT MINI PWM 20/60-180	≤ 0,16	180	G 1¼	35	1,66
979527614	NMT MINI PWM 20/80-180	≤ 0,18	180	G 1¼	50	1,66
979527618	NMT MINI PWM 25/40-180	≤ 0,13	180	G 1½	20	1,73
979527619	NMT MINI PWM 25/60-180	≤ 0,16	180	G 1½	35	1,73
979527621	NMT MINI PWM 25/80-180	≤ 0,18	180	G 1½	50	1,73
979527625	NMT MINI PWM 32/40-180	≤ 0,13	180	G 2	20	1,93
979527626	NMT MINI PWM 32/60-180	≤ 0,16	180	G 2	35	1,93
979527628	NMT MINI PWM 32/80-180	≤ 0,18	180	G 2	50	1,93



NMT MINI PWM main features:

- PWM H input - heating profile
- PWM H output - standby, speed, error
- PWM S input - solar profile
- PWM S output - standby, speed, error
- Normal operating mode (without PWM signal)
- Dry running detection prevents the pump from running when there is no medium
- Ultra-light design meaning the lightest pump only weighs 1.46 kg
- Automatic summer mode to prevent blocking during low season
- Robust startup
- 3 proportional-pressure curves for radiator heating
- 3 constant-pressure curves for floor heating
- 3 fixed speeds for boiler installation, venting, and domestic hot water
- Thermal insulation included

NMT SAN MINI

Code	Type	EEI	Port to port length [mm]	Pipe thread	P _{max} [W]	Weight [kg]
979525378	NMT SAN MINI 15/40-130	≤ 0,13	130	G 1	20	1,56
979525379	NMT SAN MINI 15/60-130	≤ 0,16	130	G 1	35	1,56
979525380	NMT SAN MINI 15/80-130	≤ 0,18	130	G 1	50	1,56
979525382	NMT SAN MINI 20/40-130	≤ 0,13	130	G 1¼	20	1,66
979525383	NMT SAN MINI 20/60-130	≤ 0,16	130	G 1¼	35	1,66
979525384	NMT SAN MINI 20/80-130	≤ 0,18	130	G 1¼	50	1,66
979525386	NMT SAN MINI 25/40-130	≤ 0,13	130	G 1½	20	1,70
979525387	NMT SAN MINI 25/60-130	≤ 0,16	130	G 1½	35	1,70
979525388	NMT SAN MINI 25/80-130	≤ 0,18	130	G 1½	50	1,70
979527060	NMT SAN MINI 20/40-150	≤ 0,13	150	G 1¼	20	1,65
979527061	NMT SAN MINI 20/60-150	≤ 0,16	150	G 1¼	35	1,65
979527062	NMT SAN MINI 20/80-150	≤ 0,18	150	G 1¼	50	1,65
979527064	NMT SAN MINI 25/40-150	≤ 0,13	150	G 1½	20	1,72
979527065	NMT SAN MINI 25/60-150	≤ 0,16	150	G 1½	35	1,72
979527066	NMT SAN MINI 25/80-150	≤ 0,18	150	G 1½	50	1,72
979525398	NMT SAN MINI 20/40-180	≤ 0,13	180	G 1¼	20	1,75
979525399	NMT SAN MINI 20/60-180	≤ 0,16	180	G 1¼	35	1,75
979525400	NMT SAN MINI 20/80-180	≤ 0,18	180	G 1¼	50	1,75
979525402	NMT SAN MINI 25/40-180	≤ 0,13	180	G 1½	20	1,80
979525403	NMT SAN MINI 25/60-180	≤ 0,16	180	G 1½	35	1,80
979525404	NMT SAN MINI 25/80-180	≤ 0,18	180	G 1½	50	1,80
979525406	NMT SAN MINI 32/40-180	≤ 0,13	180	G 2	20	2,05
979525407	NMT SAN MINI 32/60-180	≤ 0,16	180	G 2	35	2,05
979525408	NMT SAN MINI 32/80-180	≤ 0,18	180	G 2	50	2,05



NMT SAN MINI main features:

- Inox hydraulics for drinking and domestic water supply systems
- Dry running detection prevents the pump from running when there is no medium
- Ultra-light design meaning the lightest pump only weighs 1.46 kg
- Automatic summer mode to prevent blocking during low season
- Robust startup
- 3 proportional-pressure curves for radiator heating
- 3 constant-pressure curves for floor heating
- 3 fixed speeds for boiler installation, venting, and domestic hot water
- Thermal insulation included

NMT SAN MINI PLUS

Code	Type	EEI	Port to port length [mm]	Pipe thread	P _{max} [W]	Weight [kg]
979525924	NMT SAN MINI PLUS 15/40-130	≤ 0,13	130	G 1	20	1,56
979525925	NMT SAN MINI PLUS 15/60-130	≤ 0,16	130	G 1	35	1,56
979525926	NMT SAN MINI PLUS 15/80-130	≤ 0,18	130	G 1	50	1,56
979525928	NMT SAN MINI PLUS 20/40-130	≤ 0,13	130	G 1¼	20	1,66
979525929	NMT SAN MINI PLUS 20/60-130	≤ 0,16	130	G 1¼	35	1,66
979525930	NMT SAN MINI PLUS 20/80-130	≤ 0,18	130	G 1¼	50	1,66
979525932	NMT SAN MINI PLUS 25/40-130	≤ 0,13	130	G 1½	20	1,70
979525933	NMT SAN MINI PLUS 25/60-130	≤ 0,16	130	G 1½	35	1,70
979525934	NMT SAN MINI PLUS 25/80-130	≤ 0,18	130	G 1½	50	1,70
979527083	NMT SAN MINI PLUS 20/40-150	≤ 0,13	150	G 1¼	20	1,65
979527084	NMT SAN MINI PLUS 20/60-150	≤ 0,16	150	G 1¼	35	1,65
979527085	NMT SAN MINI PLUS 20/80-150	≤ 0,18	150	G 1¼	50	1,65
979527087	NMT SAN MINI PLUS 25/40-150	≤ 0,13	150	G 1½	20	1,72
979527088	NMT SAN MINI PLUS 25/60-150	≤ 0,16	150	G 1½	35	1,72
979527089	NMT SAN MINI PLUS 25/80-150	≤ 0,18	150	G 1½	50	1,72
979525936	NMT SAN MINI PLUS 20/40-180	≤ 0,13	180	G 1¼	20	1,75
979525937	NMT SAN MINI PLUS 20/60-180	≤ 0,16	180	G 1¼	35	1,75
979525938	NMT SAN MINI PLUS 20/80-180	≤ 0,18	180	G 1¼	50	1,75
979525940	NMT SAN MINI PLUS 25/40-180	≤ 0,13	180	G 1½	20	1,80
979525941	NMT SAN MINI PLUS 25/60-180	≤ 0,16	180	G 1½	35	1,80
979525942	NMT SAN MINI PLUS 25/80-180	≤ 0,18	180	G 1½	50	1,80
979525944	NMT SAN MINI PLUS 32/40-180	≤ 0,13	180	G 2	20	2,05
979525945	NMT SAN MINI PLUS 32/60-180	≤ 0,16	180	G 2	35	2,05
979525946	NMT SAN MINI PLUS 32/80-180	≤ 0,18	180	G 2	50	2,05



NMT SAN MINI PLUS main features:

- Inox hydraulics for drinking and domestic water supply systems
- Numerical display shows the current operating data of the pump for Power (W)
- Dry running detection prevents the pump from running when there is no medium
- Ultra-light design meaning the lightest pump only weighs 1.46 kg
- Automatic summer mode to prevent blocking during low season
- Robust startup
- 3 proportional-pressure curves for radiator heating
- 3 constant-pressure curves for floor heating
- 3 fixed speeds for boiler installation, venting, and domestic hot water
- Thermal insulation included

NMT SAN MINI PRO

Code	Type	EEI	Port to port length [mm]	Pipe thread	P _{max} [W]	Weight [kg]
979525442	NMT SAN MINI PRO 15/40-130	≤ 0,13	130	G 1	20	1,56
979525443	NMT SAN MINI PRO 15/60-130	≤ 0,16	130	G 1	35	1,56
979525444	NMT SAN MINI PRO 15/80-130	≤ 0,18	130	G 1	50	1,56
979525446	NMT SAN MINI PRO 20/40-130	≤ 0,13	130	G 1¼	20	1,66
979525447	NMT SAN MINI PRO 20/60-130	≤ 0,16	130	G 1¼	35	1,66
979525448	NMT SAN MINI PRO 20/80-130	≤ 0,18	130	G 1¼	50	1,66
979525450	NMT SAN MINI PRO 25/40-130	≤ 0,13	130	G 1½	20	1,70
979525451	NMT SAN MINI PRO 25/60-130	≤ 0,16	130	G 1½	35	1,70
979525452	NMT SAN MINI PRO 25/80-130	≤ 0,18	130	G 1½	50	1,70
979527091	NMT SAN MINI PRO 20/40-150	≤ 0,13	150	G 1¼	20	1,65
979527092	NMT SAN MINI PRO 20/60-150	≤ 0,16	150	G 1¼	35	1,65
979527093	NMT SAN MINI PRO 20/80-150	≤ 0,18	150	G 1¼	50	1,65
979527095	NMT SAN MINI PRO 25/40-150	≤ 0,13	150	G 1½	20	1,72
979527096	NMT SAN MINI PRO 25/60-150	≤ 0,16	150	G 1½	35	1,72
979527097	NMT SAN MINI PRO 25/80-150	≤ 0,18	150	G 1½	50	1,72
979525462	NMT SAN MINI PRO 20/40-180	≤ 0,13	180	G 1¼	20	1,75
979525463	NMT SAN MINI PRO 20/60-180	≤ 0,16	180	G 1¼	35	1,75
979525464	NMT SAN MINI PRO 20/80-180	≤ 0,18	180	G 1¼	50	1,75
979525466	NMT SAN MINI PRO 25/40-180	≤ 0,13	180	G 1½	20	1,80
979525467	NMT SAN MINI PRO 25/60-180	≤ 0,16	180	G 1½	35	1,80
979525468	NMT SAN MINI PRO 25/80-180	≤ 0,18	180	G 1½	50	1,80
979525470	NMT SAN MINI PRO 32/40-180	≤ 0,13	180	G 2	20	2,05
979525471	NMT SAN MINI PRO 32/60-180	≤ 0,16	180	G 2	35	2,05
979525472	NMT SAN MINI PRO 32/80-180	≤ 0,18	180	G 2	50	2,05



NMT SAN MINI PRO main features:

- Inox hydraulics for drinking and domestic water supply systems
- Numerical display shows the current operating data of the pump for: Power (W), Head (h), and Flow (m³/h)
- Auto mode best operating mode to optimize efficiency and comfort
- Night mode - in combination with other modes
- Dry running detection prevents the pump from running when there is no medium
- Ultra-light design meaning the lightest pump only weighs 1.46 kg
- Automatic summer mode to prevent blocking during low season
- Robust startup
- 3 proportional-pressure curves for radiator heating
- 3 constant-pressure curves for floor heating
- 3 fixed speeds for boiler installation, venting, and domestic hot water
- Thermal insulation included

NMT SAN MINI PRO WIFI

Code	Type	EEI	Port to port length [mm]	Pipe thread	P _{max} [W]	Weight [kg]
979525703	NMT SAN MINI PRO WIFI 15/40-130	≤ 0,13	130	G 1	20	1,56
979525704	NMT SAN MINI PRO WIFI 15/60-130	≤ 0,16	130	G 1	35	1,56
979525705	NMT SAN MINI PRO WIFI 15/80-130	≤ 0,18	130	G 1	50	1,56
979525707	NMT SAN MINI PRO WIFI 20/40-130	≤ 0,13	130	G 1¼	20	1,66
979525708	NMT SAN MINI PRO WIFI 20/60-130	≤ 0,16	130	G 1¼	35	1,66
979525709	NMT SAN MINI PRO WIFI 20/80-130	≤ 0,18	130	G 1¼	50	1,66
979525711	NMT SAN MINI PRO WIFI 25/40-130	≤ 0,13	130	G 1½	20	1,70
979525712	NMT SAN MINI PRO WIFI 25/60-130	≤ 0,16	130	G 1½	35	1,70
979525713	NMT SAN MINI PRO WIFI 25/80-130	≤ 0,18	130	G 1½	50	1,70
979527099	NMT SAN MINI PRO WIFI 20/40-150	≤ 0,13	150	G 1¼	20	1,65
979527100	NMT SAN MINI PRO WIFI 20/60-150	≤ 0,16	150	G 1¼	35	1,65
979527101	NMT SAN MINI PRO WIFI 20/80-150	≤ 0,18	150	G 1¼	50	1,65
979527103	NMT SAN MINI PRO WIFI 25/40-150	≤ 0,13	150	G 1½	20	1,72
979527104	NMT SAN MINI PRO WIFI 25/60-150	≤ 0,16	150	G 1½	35	1,72
979527105	NMT SAN MINI PRO WIFI 25/80-150	≤ 0,18	150	G 1½	50	1,72
979525723	NMT SAN MINI PRO WIFI 20/40-180	≤ 0,13	180	G 1¼	20	1,75
979525724	NMT SAN MINI PRO WIFI 20/60-180	≤ 0,16	180	G 1¼	35	1,75
979525725	NMT SAN MINI PRO WIFI 20/80-180	≤ 0,18	180	G 1¼	50	1,75
979525727	NMT SAN MINI PRO WIFI 25/40-180	≤ 0,13	180	G 1½	20	1,80
979525728	NMT SAN MINI PRO WIFI 25/60-180	≤ 0,16	180	G 1½	35	1,80
979525729	NMT SAN MINI PRO WIFI 25/80-180	≤ 0,18	180	G 1½	50	1,80
979525731	NMT SAN MINI PRO WIFI 32/40-180	≤ 0,13	180	G 2	20	2,05
979525732	NMT SAN MINI PRO WIFI 32/60-180	≤ 0,16	180	G 2	35	2,05
979525733	NMT SAN MINI PRO WIFI 32/80-180	≤ 0,18	180	G 2	50	2,05

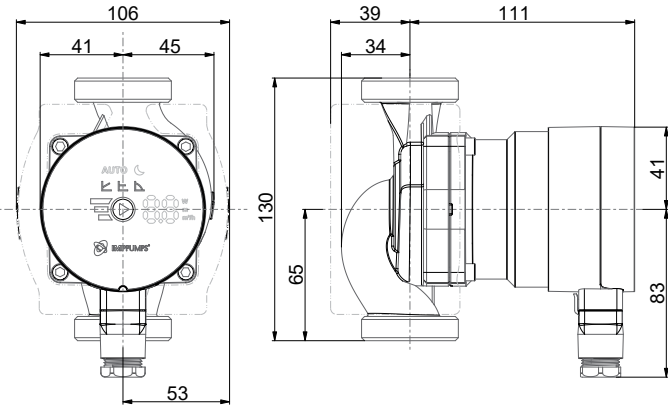


NMT SAN MINI PRO WiFi main features:

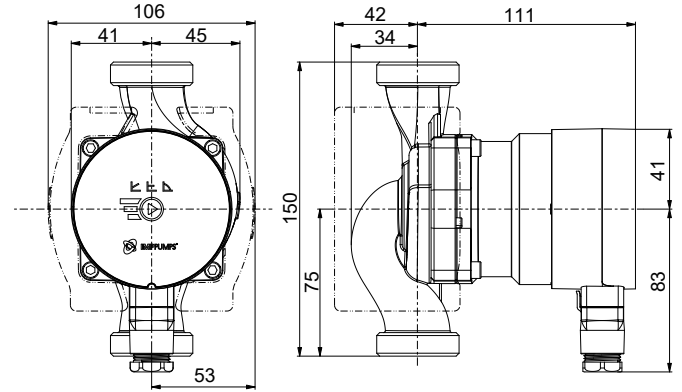
- THE FIRST domestic pump in the market with WiFi communication
- Inox hydraulics for drinking and domestic water supply systems
- Possibility of weekly calendar setting
- Application-free (no need for app installation)
- Compatible with all mobile devices and operating systems
- Connection of multiple pumps on the same WiFi network, and easy access to each pump - remote access to the pump for diagnostics
- Communication with the pump by integrated WiFi
- Numerical display shows the current operating data of the pump for: Power (W), Head (h), and Flow (m³/h)
- Auto mode best operating mode to optimize efficiency and comfort
- Night mode - in combination with other modes
- Dry running detection prevents the pump from running when there is no medium
- Ultra-light design meaning the lightest pump only weighs 1.46 kg
- Automatic summer mode to prevent blocking during low season
- Robust startup
- 3 proportional-pressure curves for radiator heating
- 3 constant-pressure curves for floor heating
- 3 fixed speeds for boiler installation, venting, and domestic hot water
- Thermal insulation included

Dimensions

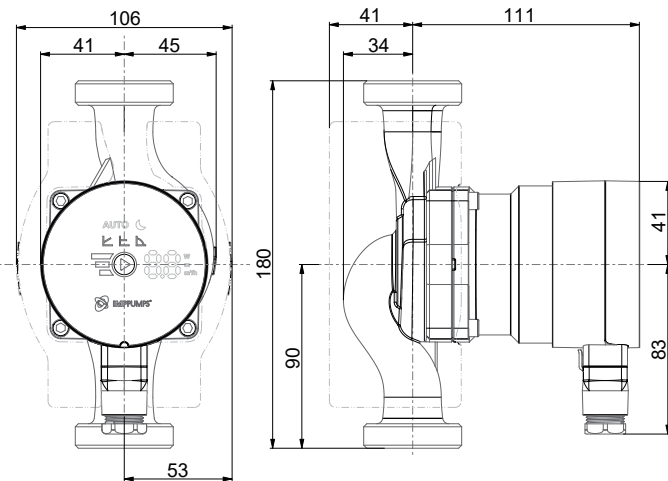
NMT MINI (PLUS/PRO/PRO WiFi) XX/XX-130



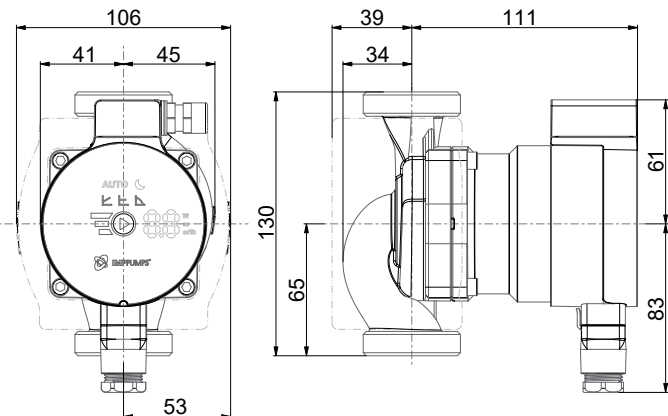
NMT SAN MINI (PLUS/PRO/PRO WiFi) XX/XX-150



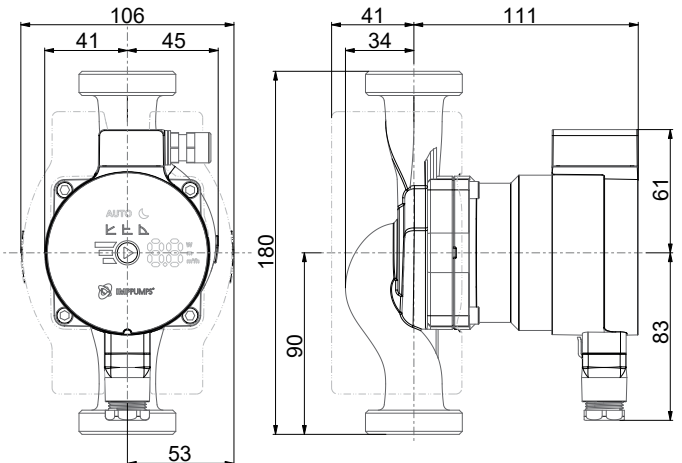
NMT MINI (PLUS/PRO/PRO WiFi) XX/XX-180



NMT MINI (ER/PWM) XX/XX-130



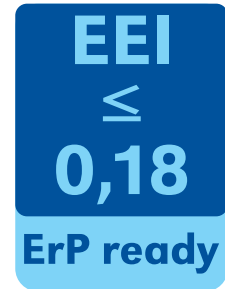
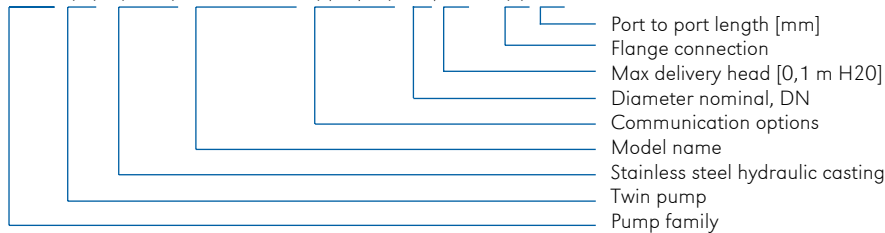
NMT MINI (ER/PWM) XX/XX-180



NMT SMART II



NMT (D) (SAN) SMART II (S/U/C) XX/XX - (F) XXX



Electronically controlled wet running circulating pump

For all heating, air conditioning, refrigeration and industrial systems in accordance with VDI 2035 and ErP, as well as sanitary water systems.

Introducing a high-efficiency wet running pump equipped with an auto adapt function:

- High energy-efficient motor that uses permanent magnet technology
- Best in its class with energy efficiency EEI rating of ≤ 0.18
- LED display for control, making it easy to operate
- Low noise operation, automatic venting, easy handling and installation make it a practical choice
- Robust and compact construction for longer lifetime
- Thermal insulation included

Automatic operation

- Immediate adaptation to the system

Manual adjustment

- Proportional pressure, constant pressure, constant speed, night mode

Communication options

NMT SMART II
 NMT SMART II S
 NMT SMART II U
 NMT SMART II C

Permissible mediums

Water, or water mixed with glycol, parameters must be checked in the mixture of water with over 20% of glycol. Pure, non-explosive liquid medium free of mineral oils and solid particles. Temperature range of the medium is from -10 to 110°C, with max. surrounding temperature 40°C. For NMT SAN SMART II, the maximum ambient temperature is 40°C, and the temperature range of the medium is from 2 to 65°C.

Technical specification

Flow range, Q	up to 12 m ³ /h
Head range, H	up to 12 m
Nominal pressure	PN 6/10
Flange type, DN	25/32/40/50
Pipe thread	G 1½ / G2
Insulation class	F
Degree of protection	IP 44
Voltage	1 - 230V, 50 Hz

Minimum inlet pressure

0.05 bar <75 °C (fluid temperature)
 0.28 bar <90 °C (fluid temperature)

Material

Hydraulic casing	cast iron/stainless steel
Impeller	PES
Shaft	stainless steel AISI 316
Bearings	all carbon
Rotor can	stainless steel AISI 316

TRANSITION FROM NMT SMART TO NMT SMART II

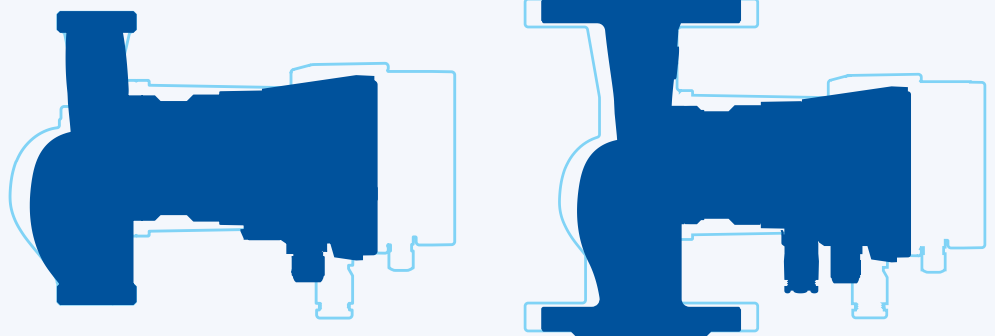
BEFORE  AFTER



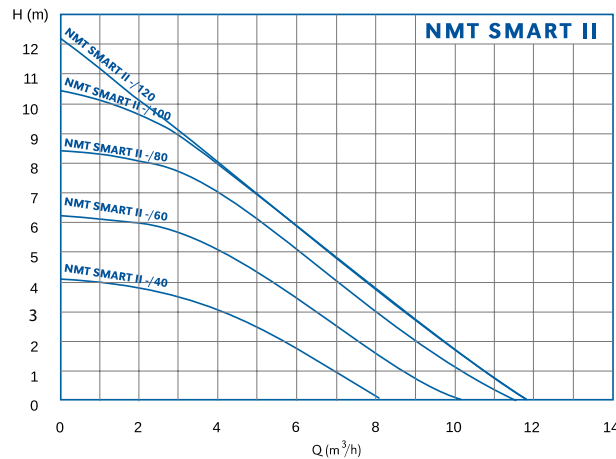
ADVANTAGES:

- The most efficient pump in its class $EEI \leq 0,18$
- Unifying design of the whole NMT SMART II FAMILY
- Easier electrical connection
- Greater variety of model options for competitive price targeting
- Modern and compact design resulting in easier and faster installation
- Easy model upgrade
- The lightest pump in its class

SIZE COMPARISON NMT SMART C VS NMT SMART II C



Performance curves and Q/H table



Type	P [W]	I [A]	H [m]	Q [m³/h]												
				1	2	3	4	5	6	7	8	9	10	11	12	
NMT SMART II -/40	70	0,5		4,0	3,8	3,5	3,0	2,5	1,8	1,0	0,1					
NMT SMART II -/60	100	0,8		6,3	6,1	5,6	5,0	4,2	3,4	2,5	1,6	0,8	0,1			
NMT SMART II -/80	145	1,1		8,4	8,2	7,7	7,0	6,1	5,2	4,1	3,1	2,1	1,2	0,4		
NMT SMART II -/100	160	1,2		10,2	9,6	8,9	8,0	7,0	5,9	4,8	3,6	2,5	1,5	0,6		
NMT SMART II -/120	160	1,2		11,2	10,2	9,1	8,0	6,9	5,8	4,7	3,6	2,6	1,6	0,7		

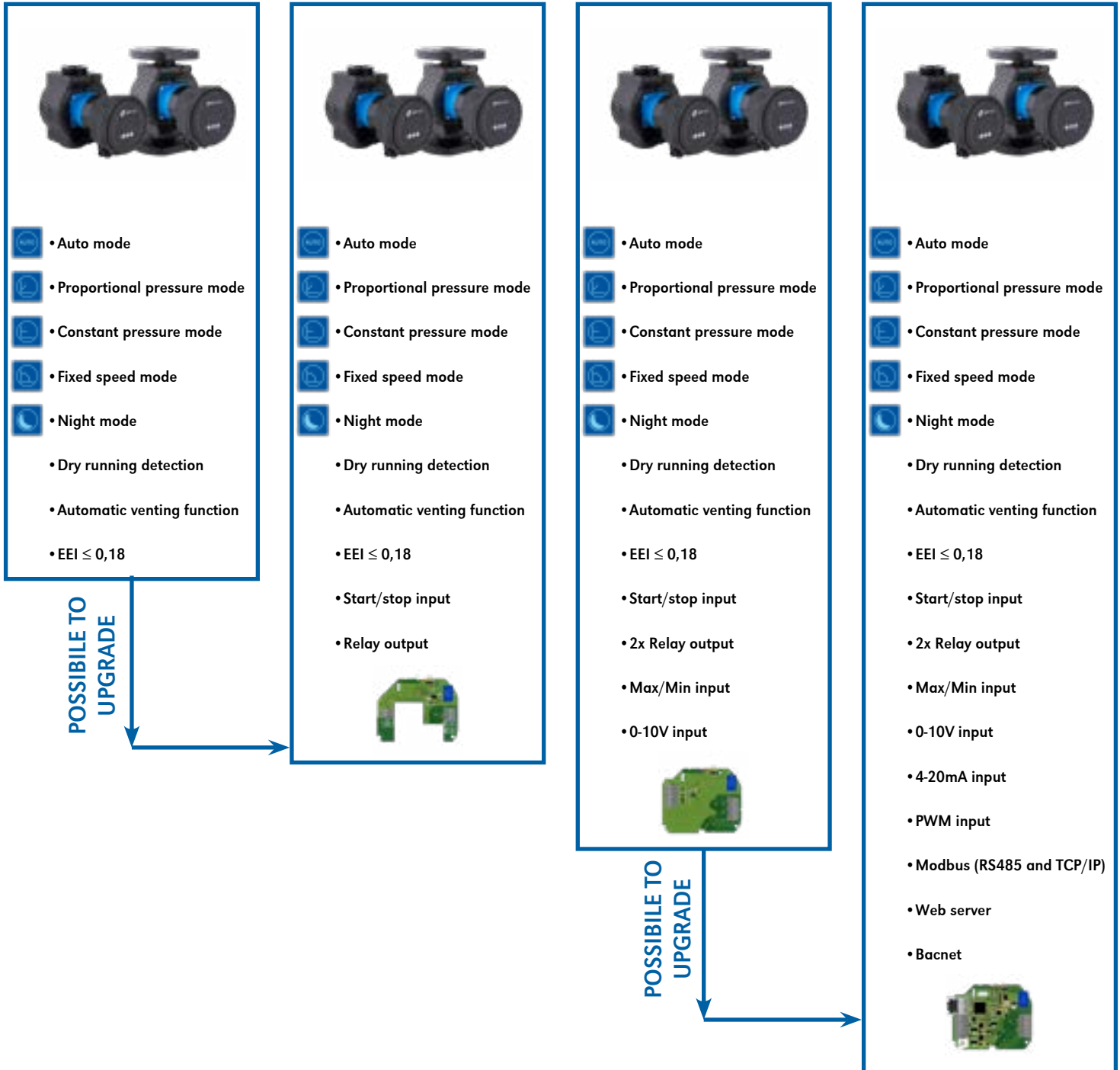
MODEL OVERVIEW

NMT SMART II

NMT SMART II S

NMT SMART II U

NMT SMART II C



Spare/upgradable parts



Type	Communication module S	Communication module U	Communication module C
Single pump codes	979528148	979528149	979528150
Twin pump codes		979528356	979528155

PUMP MODELS

Threaded single-motor pumps



NMT SMART II - Threaded single-motor pumps

Code	Type	EEl	Port to port length [mm]	Pipe thread	Nominal pressure	P _{max} [W]
979528383	NMT SMART II 25/40-180	≤ 0,18	180	G 1½	PN10	70
979528384	NMT SMART II 25/60-180	≤ 0,18	180	G 1½	PN10	100
979528385	NMT SMART II 25/80-180	≤ 0,18	180	G 1½	PN10	145
979528386	NMT SMART II 25/100-180	≤ 0,18	180	G 1½	PN10	160
979528387	NMT SMART II 25/120-180	≤ 0,18	180	G 1½	PN10	160
979528388	NMT SMART II 32/40-180	≤ 0,18	180	G 2	PN10	70
979528389	NMT SMART II 32/60-180	≤ 0,18	180	G 2	PN10	100
979528390	NMT SMART II 32/80-180	≤ 0,18	180	G 2	PN10	145
979528391	NMT SMART II 32/100-180	≤ 0,18	180	G 2	PN10	160
979528392	NMT SMART II 32/120-180	≤ 0,18	180	G 2	PN10	160

NMT SMART II S - Threaded single-motor pumps with S communication module

Code	Type	EEl	Port to port length [mm]	Pipe thread	Nominal pressure	P _{max} [W]
979528408	NMT SMART II S 25/40-180	≤ 0,18	180	G 1½	PN10	70
979528409	NMT SMART II S 25/60-180	≤ 0,18	180	G 1½	PN10	100
979528410	NMT SMART II S 25/80-180	≤ 0,18	180	G 1½	PN10	145
979528411	NMT SMART II S 25/100-180	≤ 0,18	180	G 1½	PN10	160
979528412	NMT SMART II S 25/120-180	≤ 0,18	180	G 1½	PN10	160
979528413	NMT SMART II S 32/40-180	≤ 0,18	180	G 2	PN10	70
979528414	NMT SMART II S 32/60-180	≤ 0,18	180	G 2	PN10	100
979528415	NMT SMART II S 32/80-180	≤ 0,18	180	G 2	PN10	145
979528416	NMT SMART II S 32/100-180	≤ 0,18	180	G 2	PN10	160
979528417	NMT SMART II S 32/120-180	≤ 0,18	180	G 2	PN10	160

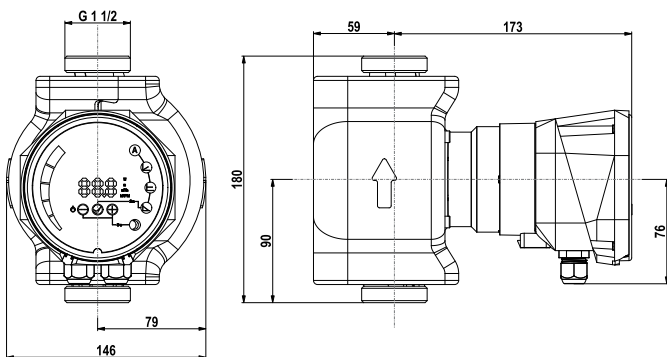
NMT SMART II U - Threaded single-motor pumps with U communication module

Code	Type	EEl	Port to port length [mm]	Pipe thread	Nominal pressure	P _{max} [W]
979528433	NMT SMART II U 25/40-180	≤ 0,18	180	G 1½	PN10	70
979528434	NMT SMART II U 25/60-180	≤ 0,18	180	G 1½	PN10	100
979528435	NMT SMART II U 25/80-180	≤ 0,18	180	G 1½	PN10	145
979528436	NMT SMART II U 25/100-180	≤ 0,18	180	G 1½	PN10	160
979528437	NMT SMART II U 25/120-180	≤ 0,18	180	G 1½	PN10	160
979528438	NMT SMART II U 32/40-180	≤ 0,18	180	G 2	PN10	70
979528439	NMT SMART II U 32/60-180	≤ 0,18	180	G 2	PN10	100
979528440	NMT SMART II U 32/80-180	≤ 0,18	180	G 2	PN10	145
979528441	NMT SMART II U 32/100-180	≤ 0,18	180	G 2	PN10	160
979528442	NMT SMART II U 32/120-180	≤ 0,18	180	G 2	PN10	160

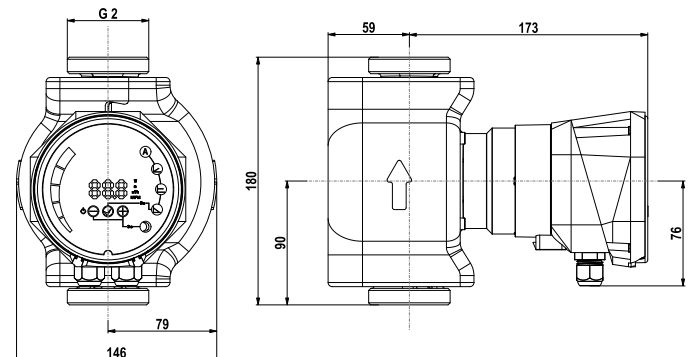
NMT SMART II C - Threaded single-motor pumps with C communication module

Code	Type	EEl	Port to port length [mm]	Pipe thread	Nominal pressure	P _{max} [W]
979528458	NMT SMART II C 25/40-180	≤ 0,18	180	G 1½	PN10	70
979528459	NMT SMART II C 25/60-180	≤ 0,18	180	G 1½	PN10	100
979528460	NMT SMART II C 25/80-180	≤ 0,18	180	G 1½	PN10	145
979528461	NMT SMART II C 25/100-180	≤ 0,18	180	G 1½	PN10	160
979528462	NMT SMART II C 25/120-180	≤ 0,18	180	G 1½	PN10	160
979528463	NMT SMART II C 32/40-180	≤ 0,18	180	G 2	PN10	70
979528464	NMT SMART II C 32/60-180	≤ 0,18	180	G 2	PN10	100
979528465	NMT SMART II C 32/80-180	≤ 0,18	180	G 2	PN10	145
979528466	NMT SMART II C 32/100-180	≤ 0,18	180	G 2	PN10	160
979528467	NMT SMART II C 32/120-180	≤ 0,18	180	G 2	PN10	160

Dimensions

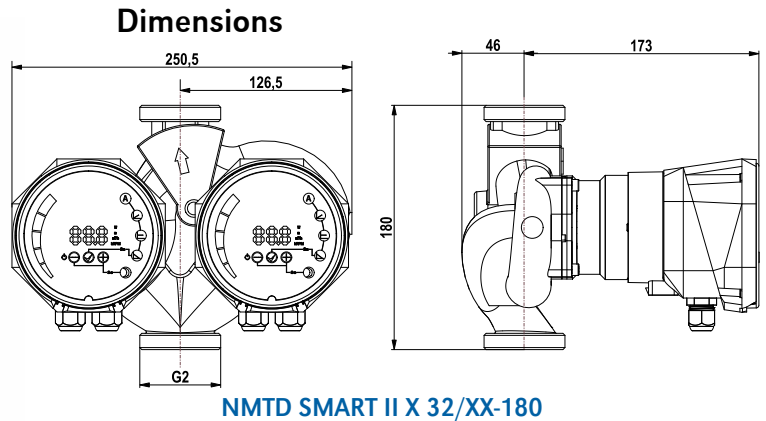


NMT SMART II X 25/XX-180



NMT SMART II X 32/XX-180

Threaded twin-motor pumps



NMTD SMART II - Threaded twin-motor pumps

Code	Type	EEI	Port to port length [mm]	Pipe thread	Nominal pressure	P _{max} [W]
979528528	NMTD SMART II 32/40-180	≤ 0,18	180	G 2	PN10	2x70
979528529	NMTD SMART II 32/60-180	≤ 0,18	180	G 2	PN10	2x100
979528530	NMTD SMART II 32/80-180	≤ 0,18	180	G 2	PN10	2x145
979528531	NMTD SMART II 32/100-180	≤ 0,18	180	G 2	PN10	2x160
979528532	NMTD SMART II 32/120-180	≤ 0,18	180	G 2	PN10	2x160

NMTD SMART II S - Threaded twin-motor pumps with S communication module

Code	Type	EEI	Port to port length [mm]	Pipe thread	Nominal pressure	P _{max} [W]
979528548	NMTD SMART II S 32/40-180	≤ 0,18	180	G 2	PN10	2x70
979528549	NMTD SMART II S 32/60-180	≤ 0,18	180	G 2	PN10	2x100
979528550	NMTD SMART II S 32/80-180	≤ 0,18	180	G 2	PN10	2x145
979528551	NMTD SMART II S 32/100-180	≤ 0,18	180	G 2	PN10	2x160
979528552	NMTD SMART II S 32/120-180	≤ 0,18	180	G 2	PN10	2x160

NMTD SMART II U - Threaded twin-motor pumps with U communication module

Code	Type	EEI	Port to port length [mm]	Pipe thread	Nominal pressure	P _{max} [W]
979528568	NMTD SMART II U 32/40-180	≤ 0,18	180	G 2	PN10	2x70
979528569	NMTD SMART II U 32/60-180	≤ 0,18	180	G 2	PN10	2x100
979528570	NMTD SMART II U 32/80-180	≤ 0,18	180	G 2	PN10	2x145
979528571	NMTD SMART II U 32/100-180	≤ 0,18	180	G 2	PN10	2x160
979528572	NMTD SMART II U 32/120-180	≤ 0,18	180	G 2	PN10	2x160

NMTD SMART II C - Threaded twin-motor pumps C communication module

Code	Type	EEI	Port to port length [mm]	Pipe thread	Nominal pressure	P _{max} [W]
979528588	NMTD SMART II C 32/40-180	≤ 0,18	180	G 2	PN10	2x70
979528589	NMTD SMART II C 32/60-180	≤ 0,18	180	G 2	PN10	2x100
979528590	NMTD SMART II C 32/80-180	≤ 0,18	180	G 2	PN10	2x145
979528591	NMTD SMART II C 32/100-180	≤ 0,18	180	G 2	PN10	2x160
979528592	NMTD SMART II C 32/120-180	≤ 0,18	180	G 2	PN10	2x160

Flanged single-motor pumps



NMT SMART II F - Flanged single-motor pumps

Code	Type	EEI	Port to port length [mm]	Flange type	Nominal pressure	P _{max} [W]
979528393	NMT SMART II 32/40 F220	≤ 0,18	220	DN32	PN6/10	70
979528394	NMT SMART II 32/60 F220	≤ 0,18	220	DN32	PN6/10	100
979528395	NMT SMART II 32/80 F220	≤ 0,18	220	DN32	PN6/10	145
979528396	NMT SMART II 32/100 F220	≤ 0,18	220	DN32	PN6/10	160
979528397	NMT SMART II 32/120 F220	≤ 0,18	220	DN32	PN6/10	160
979528398	NMT SMART II 40/40 F220	≤ 0,18	220	DN40	PN6/10	70
979528399	NMT SMART II 40/60 F220	≤ 0,18	220	DN40	PN6/10	100
979528400	NMT SMART II 40/80 F220	≤ 0,18	220	DN40	PN6/10	145
979528401	NMT SMART II 40/100 F220	≤ 0,18	220	DN40	PN6/10	160
979528402	NMT SMART II 40/120 F220	≤ 0,18	220	DN40	PN6/10	160
979528403	NMT SMART II 50/40 F240	≤ 0,18	240	DN50	PN6/10	70
979528404	NMT SMART II 50/60 F240	≤ 0,18	240	DN50	PN6/10	100
979528405	NMT SMART II 50/80 F240	≤ 0,18	240	DN50	PN6/10	145
979528406	NMT SMART II 50/100 F240	≤ 0,18	240	DN50	PN6/10	160
979528407	NMT SMART II 50/120 F240	≤ 0,18	240	DN50	PN6/10	160

NMT SMART II S F - Flanged single motor pumps with S communication module

Code	Type	EEI	Port to port length [mm]	Flange type	Nominal pressure	P _{max} [W]
979528418	NMT SMART II S 32/40 F220	≤ 0,18	220	DN32	PN6/10	70
979528419	NMT SMART II S 32/60 F220	≤ 0,18	220	DN32	PN6/10	100
979528420	NMT SMART II S 32/80 F220	≤ 0,18	220	DN32	PN6/10	145
979528421	NMT SMART II S 32/100 F220	≤ 0,18	220	DN32	PN6/10	160
979528422	NMT SMART II S 32/120 F220	≤ 0,18	220	DN32	PN6/10	160
979528423	NMT SMART II S 40/40 F220	≤ 0,18	220	DN40	PN6/10	70
979528424	NMT SMART II S 40/60 F220	≤ 0,18	220	DN40	PN6/10	100
979528425	NMT SMART II S 40/80 F220	≤ 0,18	220	DN40	PN6/10	145
979528426	NMT SMART II S 40/100 F220	≤ 0,18	220	DN40	PN6/10	160
979528427	NMT SMART II S 40/120 F220	≤ 0,18	220	DN40	PN6/10	160
979528428	NMT SMART II S 50/40 F240	≤ 0,18	240	DN50	PN6/10	70
979528429	NMT SMART II S 50/60 F240	≤ 0,18	240	DN50	PN6/10	100
979528430	NMT SMART II S 50/80 F240	≤ 0,18	240	DN50	PN6/10	145
979528431	NMT SMART II S 50/100 F240	≤ 0,18	240	DN50	PN6/10	160
979528432	NMT SMART II S 50/120 F240	≤ 0,18	240	DN50	PN6/10	160

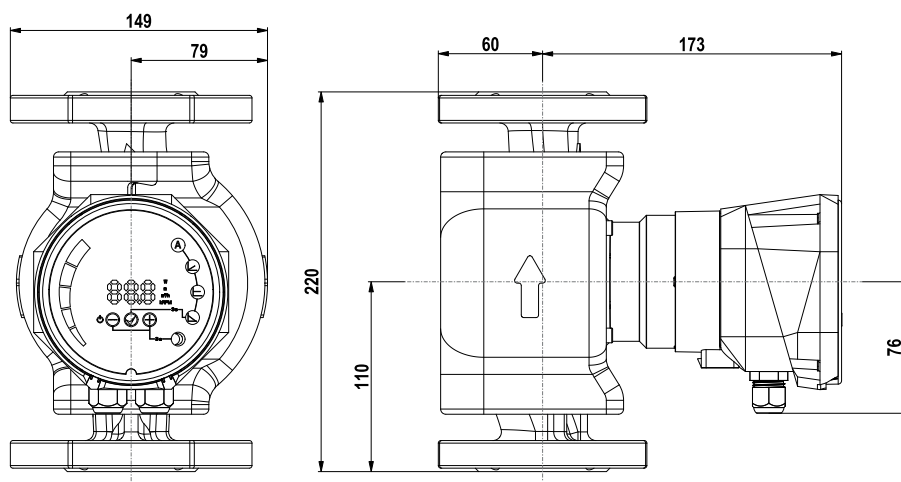
NMT SMART II U F - Flanged single motor pumps with U communication module

Code	Type	EEI	Port to port length [mm]	Flange type	Nominal pressure	P _{max} [W]
979528443	NMT SMART II U 32/40 F220	≤ 0,18	220	DN32	PN6/10	70
979528444	NMT SMART II U 32/60 F220	≤ 0,18	220	DN32	PN6/10	100
979528445	NMT SMART II U 32/80 F220	≤ 0,18	220	DN32	PN6/10	145
979528446	NMT SMART II U 32/100 F220	≤ 0,18	220	DN32	PN6/10	160
979528447	NMT SMART II U 32/120 F220	≤ 0,18	220	DN32	PN6/10	160
979528448	NMT SMART II U 40/40 F220	≤ 0,18	220	DN40	PN6/10	70
979528449	NMT SMART II U 40/60 F220	≤ 0,18	220	DN40	PN6/10	100
979528450	NMT SMART II U 40/80 F220	≤ 0,18	220	DN40	PN6/10	145
979528451	NMT SMART II U 40/100 F220	≤ 0,18	220	DN40	PN6/10	160
979528452	NMT SMART II U 40/120 F220	≤ 0,18	220	DN40	PN6/10	160
979528453	NMT SMART II U 50/40 F240	≤ 0,18	240	DN50	PN6/10	70
979528454	NMT SMART II U 50/60 F240	≤ 0,18	240	DN50	PN6/10	100
979528455	NMT SMART II U 50/80 F240	≤ 0,18	240	DN50	PN6/10	145
979528456	NMT SMART II U 50/100 F240	≤ 0,18	240	DN50	PN6/10	160
979528457	NMT SMART II U 50/120 F240	≤ 0,18	240	DN50	PN6/10	160

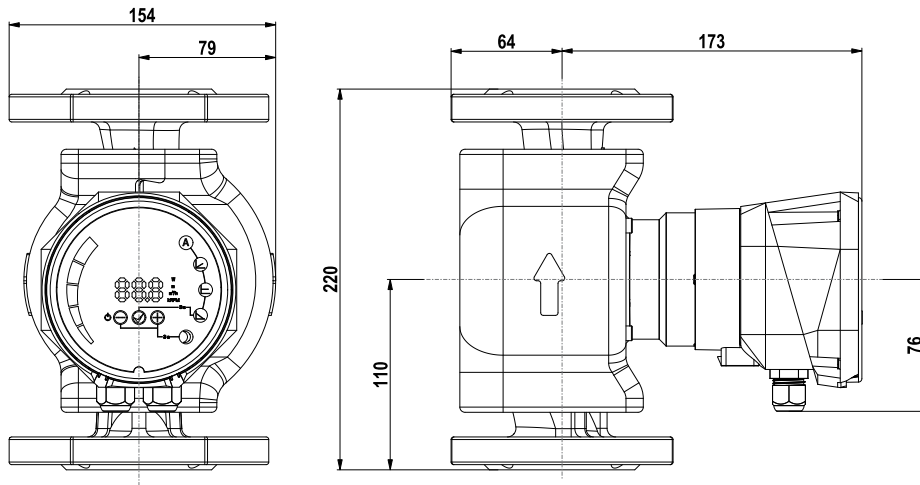
NMT SMART II C F - Flanged single motor pumps with C communication module

Code	Type	EEl	Port to port length [mm]	Flange type	Nominal pressure	P _{max} [W]
979528468	NMT SMART II C 32/40 F220	≤ 0,18	220	DN32	PN6/10	70
979528469	NMT SMART II C 32/60 F220	≤ 0,18	220	DN32	PN6/10	100
979528470	NMT SMART II C 32/80 F220	≤ 0,18	220	DN32	PN6/10	145
979528471	NMT SMART II C 32/100 F220	≤ 0,18	220	DN32	PN6/10	160
979528472	NMT SMART II C 32/120 F220	≤ 0,18	220	DN32	PN6/10	160
979528473	NMT SMART II C 40/40 F220	≤ 0,18	220	DN40	PN6/10	70
979528474	NMT SMART II C 40/60 F220	≤ 0,18	220	DN40	PN6/10	100
979528475	NMT SMART II C 40/80 F220	≤ 0,18	220	DN40	PN6/10	145
979528476	NMT SMART II C 40/100 F220	≤ 0,18	220	DN40	PN6/10	160
979528477	NMT SMART II C 40/120 F220	≤ 0,18	220	DN40	PN6/10	160
979528478	NMT SMART II C 50/40 F240	≤ 0,18	240	DN50	PN6/10	70
979528479	NMT SMART II C 50/60 F240	≤ 0,18	240	DN50	PN6/10	100
979528480	NMT SMART II C 50/80 F240	≤ 0,18	240	DN50	PN6/10	145
979528481	NMT SMART II C 50/100 F240	≤ 0,18	240	DN50	PN6/10	160
979528482	NMT SMART II C 50/120 F240	≤ 0,18	240	DN50	PN6/10	160

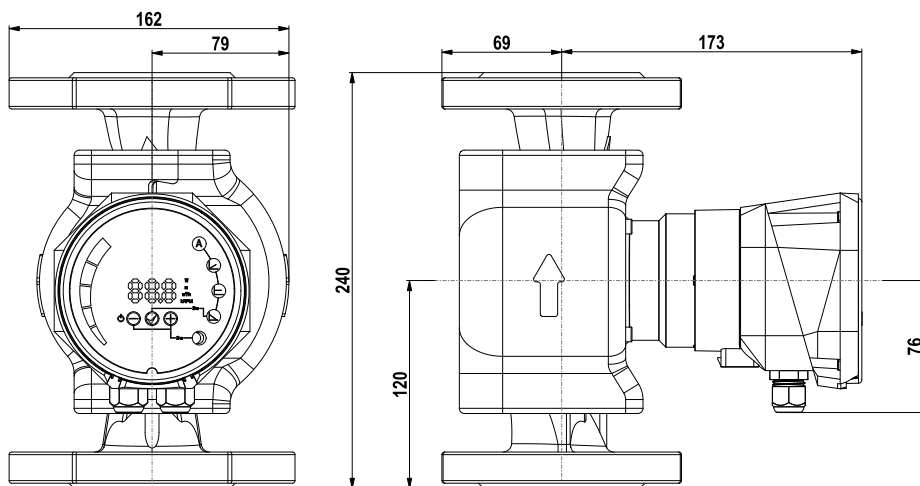
Dimensions



NMT SMART II X 32/XX-F220

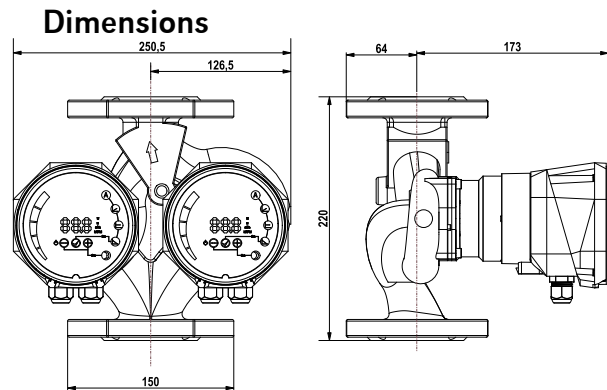


NMT SMART II X 40/XX-F220



NMT SMART II X 50/XX-F240

Flanged twin-motor pumps



NMTD SMART II X 40/XX-F220

NMTD SMART II F - Flanged twin-motor pumps

Code	Type	EEl	Port to port length [mm]	Flange type	Nominal pressure	P _{max} [W]
979528533	NMTD SMART II 40/40 F220	≤ 0,18	220	DN40	PN6/10	2x70
979528534	NMTD SMART II 40/60 F220	≤ 0,18	220	DN40	PN6/10	2x100
979528535	NMTD SMART II 40/80 F220	≤ 0,18	220	DN40	PN6/10	2x145
979528536	NMTD SMART II 40/100 F220	≤ 0,18	220	DN40	PN6/10	2x160
979528537	NMTD SMART II 40/120 F220	≤ 0,18	220	DN40	PN6/10	2x160

NMTD SMART II S F - Flanged twin-motor pumps with S communication module

Code	Type	EEl	Port to port length [mm]	Flange type	Nominal pressure	P _{max} [W]
979528553	NMTD SMART II S 40/40 F220	≤ 0,18	220	DN40	PN6/10	2x70
979528554	NMTD SMART II S 40/60 F220	≤ 0,18	220	DN40	PN6/10	2x100
979528555	NMTD SMART II S 40/80 F220	≤ 0,18	220	DN40	PN6/10	2x145
979528556	NMTD SMART II S 40/100 F220	≤ 0,18	220	DN40	PN6/10	2x160
979528557	NMTD SMART II S 40/120 F220	≤ 0,18	220	DN40	PN6/10	2x160

NMTD SMART II U F - Flanged twin-motor pumps with U communication module

Code	Type	EEl	Port to port length [mm]	Flange type	Nominal pressure	P _{max} [W]
979528573	NMTD SMART II U 40/40 F220	≤ 0,18	220	DN40	PN6/10	2x70
979528574	NMTD SMART II U 40/60 F220	≤ 0,18	220	DN40	PN6/10	2x100
979528575	NMTD SMART II U 40/80 F220	≤ 0,18	220	DN40	PN6/10	2x145
979528576	NMTD SMART II U 40/100 F220	≤ 0,18	220	DN40	PN6/10	2x160
979528577	NMTD SMART II U 40/120 F220	≤ 0,18	220	DN40	PN6/10	2x160

NMTD SMART II C F - Flanged twin-motor pumps with C communication module

Code	Type	EEl	Port to port length [mm]	Flange type	Nominal pressure	P _{max} [W]
979528593	NMTD SMART II C 40/40 F220	≤ 0,18	220	DN40	PN6/10	2x70
979528594	NMTD SMART II C 40/60 F220	≤ 0,18	220	DN40	PN6/10	2x100
979528595	NMTD SMART II C 40/80 F220	≤ 0,18	220	DN40	PN6/10	2x145
979528596	NMTD SMART II C 40/100 F220	≤ 0,18	220	DN40	PN6/10	2x160
979528597	NMTD SMART II C 40/120 F220	≤ 0,18	220	DN40	PN6/10	2x160

Threaded single-motor pumps for sanitary water systems



NMT SAN SMART II - Threaded single-motor pumps for drinking and domestic water supply systems

Code	Type	EEI	Port to port length [mm]	Pipe thread	Nominal pressure	P _{max} [W]
979528483	NMT SAN SMART II 25/40-180	≤ 0,18	180	G 1½	PN10	70
979528484	NMT SAN SMART II 25/60-180	≤ 0,18	180	G 1½	PN10	100
979528485	NMT SAN SMART II 25/80-180	≤ 0,18	180	G 1½	PN10	145
979528486	NMT SAN SMART II 25/100-180	≤ 0,18	180	G 1½	PN10	160
979528487	NMT SAN SMART II 25/120-180	≤ 0,18	180	G 1½	PN10	160
979528488	NMT SAN SMART II 32/40-180	≤ 0,18	180	G 2	PN10	70
979528489	NMT SAN SMART II 32/60-180	≤ 0,18	180	G 2	PN10	100
979528490	NMT SAN SMART II 32/80-180	≤ 0,18	180	G 2	PN10	145
979528491	NMT SAN SMART II 32/100-180	≤ 0,18	180	G 2	PN10	160
979528492	NMT SAN SMART II 32/120-180	≤ 0,18	180	G 2	PN10	160

NMT SAN SMART II S - Threaded single-motor pumps for drinking and domestic water supply systems with S communication module

Code	Type	EEI	Port to port length [mm]	Pipe thread	Nominal pressure	P _{max} [W]
979528493	NMT SAN SMART II S 25/40-180	≤ 0,18	180	G 1½	PN10	70
979528494	NMT SAN SMART II S 25/60-180	≤ 0,18	180	G 1½	PN10	100
979528495	NMT SAN SMART II S 25/80-180	≤ 0,18	180	G 1½	PN10	145
979528496	NMT SAN SMART II S 25/100-180	≤ 0,18	180	G 1½	PN10	160
979528497	NMT SAN SMART II S 25/120-180	≤ 0,18	180	G 1½	PN10	160
979528498	NMT SAN SMART II S 32/40-180	≤ 0,18	180	G 2	PN10	70
979528499	NMT SAN SMART II S 32/60-180	≤ 0,18	180	G 2	PN10	100
979528500	NMT SAN SMART II S 32/80-180	≤ 0,18	180	G 2	PN10	145
979528501	NMT SAN SMART II S 32/100-180	≤ 0,18	180	G 2	PN10	160
979528502	NMT SAN SMART II S 32/120-180	≤ 0,18	180	G 2	PN10	160

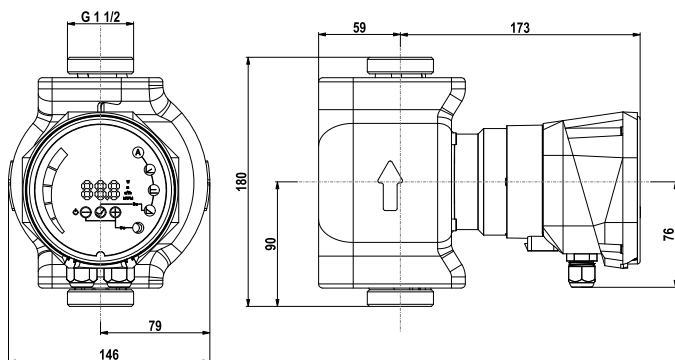
NMT SAN SMART II U - Threaded single-motor pumps for drinking and domestic water supply systems with U communication module

Code	Type	EEI	Port to port length [mm]	Pipe thread	Nominal pressure	P _{max} [W]
979528503	NMT SAN SMART II U 25/40-180	≤ 0,18	180	G 1½	PN10	70
979528504	NMT SAN SMART II U 25/60-180	≤ 0,18	180	G 1½	PN10	100
979528505	NMT SAN SMART II U 25/80-180	≤ 0,18	180	G 1½	PN10	145
979528506	NMT SAN SMART II U 25/100-180	≤ 0,18	180	G 1½	PN10	160
979528507	NMT SAN SMART II U 25/120-180	≤ 0,18	180	G 1½	PN10	160
979528508	NMT SAN SMART II U 32/40-180	≤ 0,18	180	G 2	PN10	70
979528509	NMT SAN SMART II U 32/60-180	≤ 0,18	180	G 2	PN10	100
979528510	NMT SAN SMART II U 32/80-180	≤ 0,18	180	G 2	PN10	145
979528511	NMT SAN SMART II U 32/100-180	≤ 0,18	180	G 2	PN10	160
979528512	NMT SAN SMART II U 32/120-180	≤ 0,18	180	G 2	PN10	160

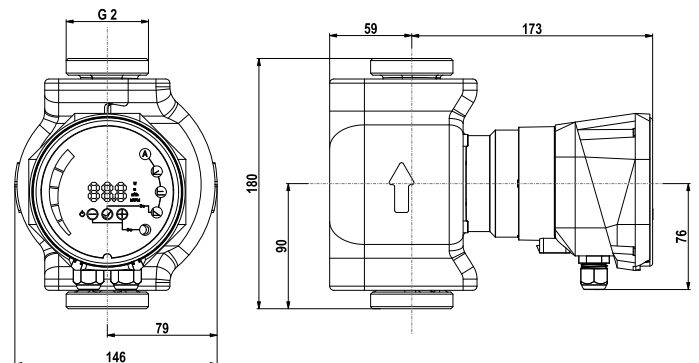
NMT SAN SMART II C - Threaded single-motor pumps for drinking and domestic water supply systems with C communication module

Code	Type	EEI	Port to port length [mm]	Pipe thread	Nominal pressure	P _{max} [W]
979528513	NMT SAN SMART II C 25/40-180	≤ 0,18	180	G 1½	PN10	70
979528514	NMT SAN SMART II C 25/60-180	≤ 0,18	180	G 1½	PN10	100
979528515	NMT SAN SMART II C 25/80-180	≤ 0,18	180	G 1½	PN10	145
979528516	NMT SAN SMART II C 25/100-180	≤ 0,18	180	G 1½	PN10	160
979528517	NMT SAN SMART II C 25/120-180	≤ 0,18	180	G 1½	PN10	160
979528518	NMT SAN SMART II C 32/40-180	≤ 0,18	180	G 2	PN10	70
979528519	NMT SAN SMART II C 32/60-180	≤ 0,18	180	G 2	PN10	100
979528520	NMT SAN SMART II C 32/80-180	≤ 0,18	180	G 2	PN10	145
979528521	NMT SAN SMART II C 32/100-180	≤ 0,18	180	G 2	PN10	160
979528522	NMT SAN SMART II C 32/120-180	≤ 0,18	180	G 2	PN10	160

Dimensions



NMT SAN SMART II X 25/XX-180

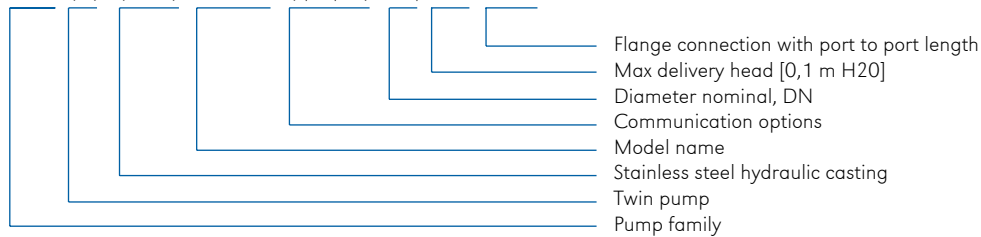


NMT SAN SMART II X 32/XX-180

NMT MAX II



NMT(D) (SAN) MAX II (S/U/C) XX/XXX FXXX



Electronically controlled wet running circulating pump

For all heating systems, air conditioning, closed cooling circuits and industrial systems, used in accordance with VDI 2035 and ErP.

A high-efficiency wet running pump equipped with an auto adapt function:

- High energy-efficient motor that uses permanent magnet technology
- LED display for control, making it easy to operate
- Low noise operation, automatic venting, easy handling and installation make it a practical choice
- Robust and compact construction for longer lifetime
- Thermal insulation included

Automatic operation

- Immediate adaptation to the system

Manual adjustment

- Proportional pressure, constant pressure, constant speed, night mode

Communication options

NMT MAX II
 NMT MAX II S
 NMT MAX II U
 NMT MAX II C

Permissible mediums

Water, or water mixed with glycol, parameters must be checked in the mixture of water with over 20% of glycol. Pure, non-explosive liquid medium free of mineral oils and solid particles. Temperature range of the medium is from -10 to 110°C, with max. surrounding temperature 40°C. For NMT SAN MAX II, the maximum ambient temperature is 40°C, and the temperature range of the medium is from 2 to 65°C.

Technical specification

Flow range, Q	up to 72,7 m ³ /h
Head range, H	up to 18,9 m
Nominal pressure, PN	PN 6/10
Installation	flange
Flange type, DN	32/40/50/65/80/100
Insulation class	F
Degree of protection	IP 44
Voltage	1 - 230V, 50 Hz

Minimum inlet pressure

0.05 bar <75 °C (fluid temperature)
 0.28 bar <90 °C (fluid temperature)

Material

Hydraulic casing	cast iron/stainless steel
Impeller	PES
Shaft	stainless steel AISI 316
Bearings	all carbon
Rotor can	stainless steel AISI 316

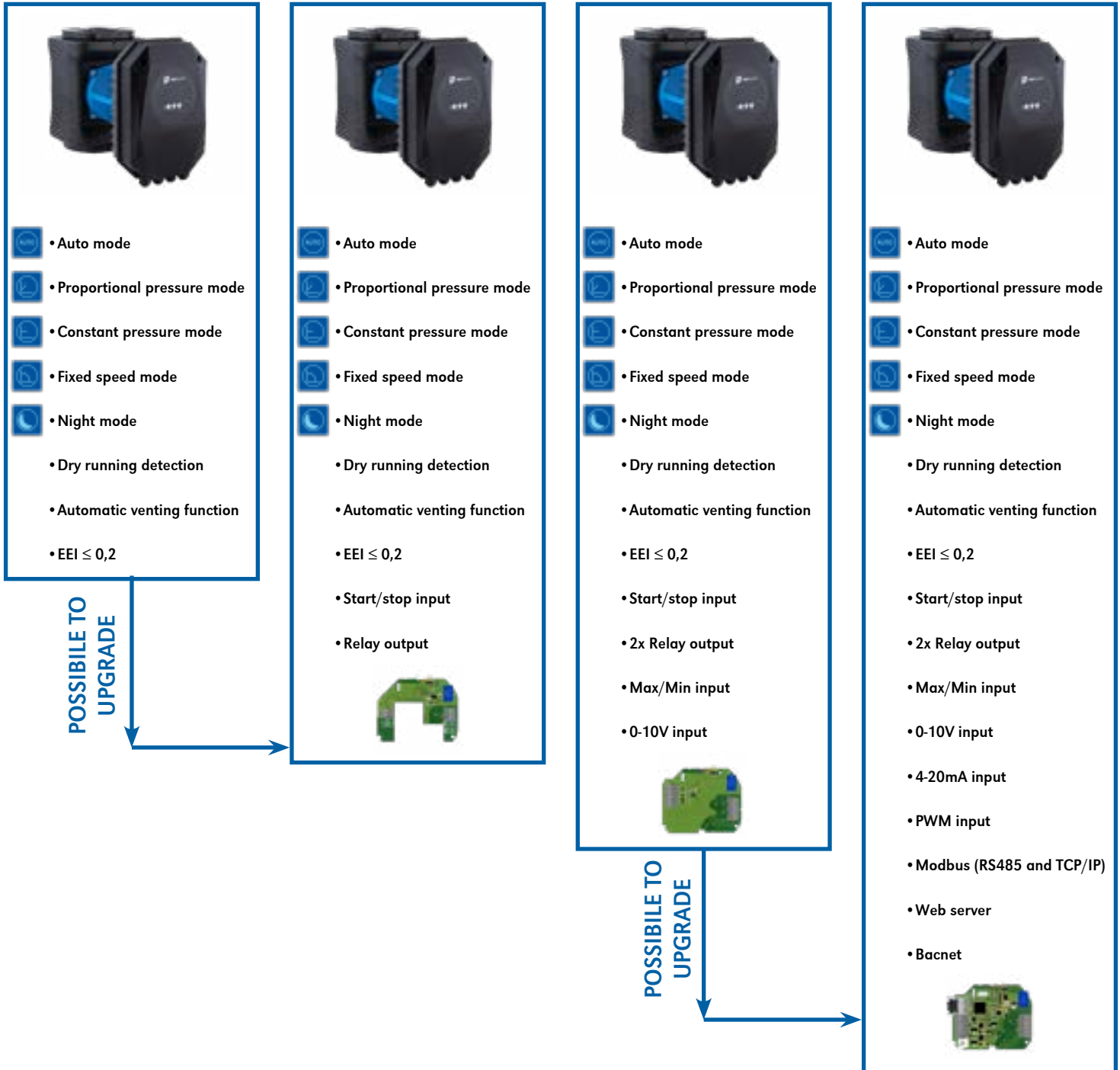
MODEL OVERVIEW

NMT MAX II

NMT MAX II S

NMT MAX II U

NMT MAX II C



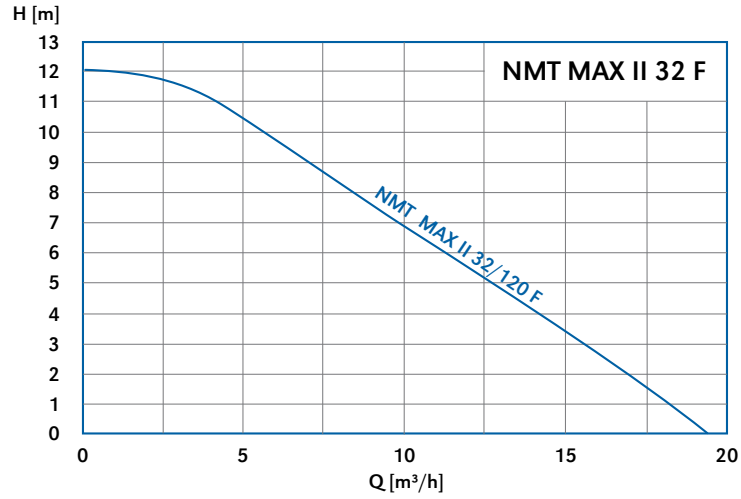
Spare/upgradable parts



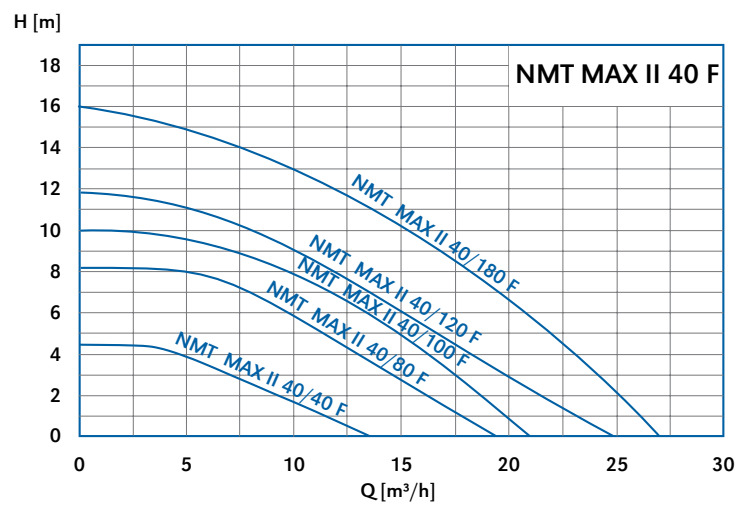
Type	Communication module S	Communication module U	Communication module C
Single pump codes	979528148	979528149	979528150
Twin pump codes	/	979528356	979528155

Performance curves

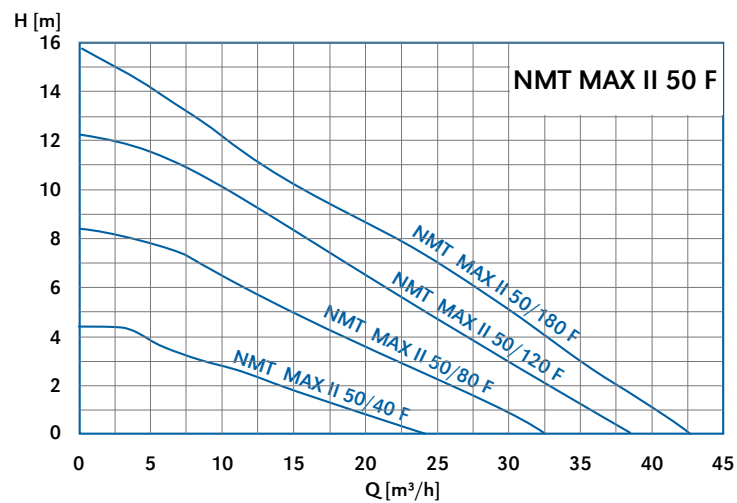
NMT MAX 32 F



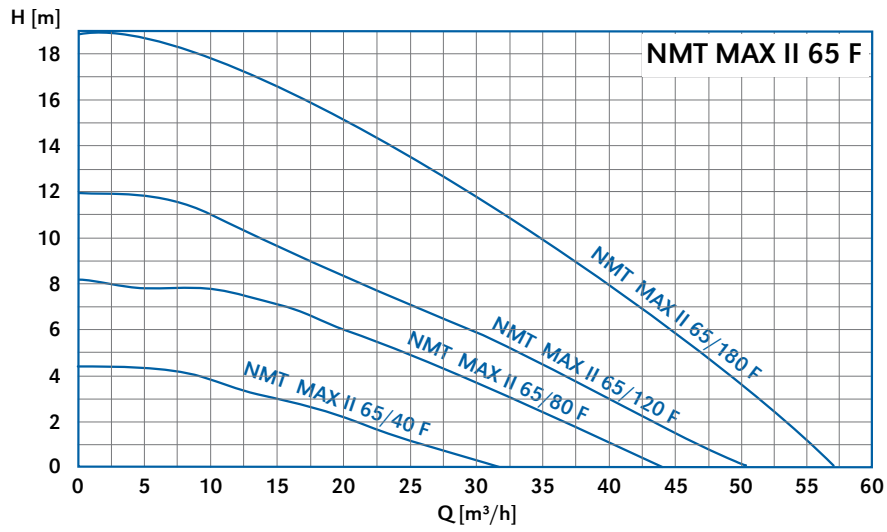
NMT MAX 40 F



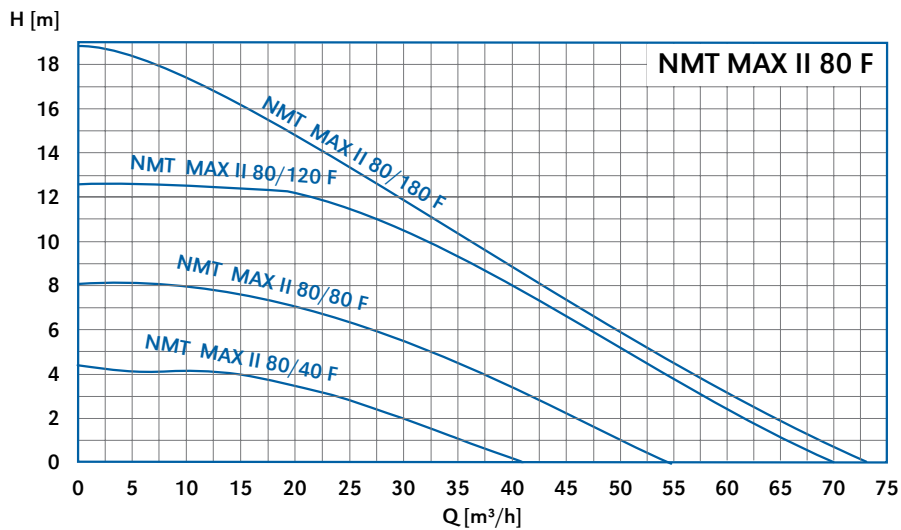
NMT MAX 50 F



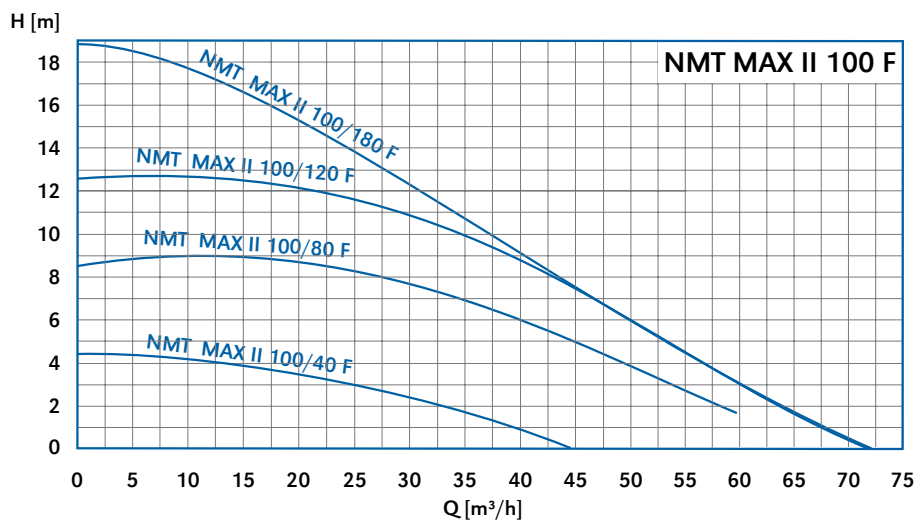
NMT MAX 65 F



NMT MAX 80 F



NMT MAX 100 F



Type	P [W]	I [A]	H [m]	Q [m³/h]													
				5	10	15	20	25	30	35	40	45	50	55	60	65	70
NMT MAX II 32/120	380	1,8		10,9	8,0	4,5	1,0										
NMT MAX II 40/40	110	1,0		3,9	1,9												
NMT MAX II 40/80	270	1,4		7,9	6,0	3,1											
NMT MAX II 40/100	380	1,8		10,0	8,1	5,0	1,4										
NMT MAX II 40/120	480	2,2		12,3	10,8	7,7	3,8										
NMT MAX II 40/180	680	3,4		16,0	14,0	10,6	6,4	2,1									
NMT MAX II 50/40	160	1,4		3,7	2,9	1,8	0,8										
NMT MAX II 50/80	370	1,7		7,5	6,6	5,3	3,8	2,3	1,0								
NMT MAX II 50/120	560	2,5		10,9	9,5	7,9	6,3	4,6	3,0	1,5	0,2						
NMT MAX II 50/180	820	3,6		14,1	12,2	10,4	8,7	7,0	5,2	3,4	1,3						
NMT MAX II 65/40	230	1,1		4,2	3,8	3,2	2,3	1,4	0,5								
NMT MAX II 65/80	560	2,5		8,0	7,7	7,0	6,1	5,1	3,8	2,5	1,2						
NMT MAX II 65/120	810	3,5		11,5	10,7	9,7	8,5	7,1	5,7	4,3	2,9	1,6	0,4				
NMT MAX II 65/180	1550	6,6		17,6	16,6	15,5	14,3	13,1	11,7	10,2	8,7	7,1	5,4	3,6	1,8		
NMT MAX II 80/40	390	1,8		4,2	4,1	3,8	3,4	2,8	2,2	1,4	0,6						
NMT MAX II 80/80	800	3,5		8,2	8,1	7,7	7,1	6,4	5,5	4,5	3,4	2,2	1,1				
NMT MAX II 80/120	1400	6,0		11,9	11,9	11,7	11,2	10,6	9,8	8,8	7,7	6,5	5,2	3,8	2,4	0,9	
NMT MAX II 80/180	1550	6,6		18,2	17,2	16,1	14,8	13,4	12,0	10,5	8,9	7,4	5,9	4,4	3,1	1,8	0,7
NMT MAX II 100/40	390	1,7		4,3	4,1	3,8	3,5	3,0	2,4	1,6	0,8						
NMT MAX II 100/80	1100	4,7		8,1	8,0	8,2	8,3	8,2	7,7	6,7	4,9	2,2					
NMT MAX II 100/120	1550	6,6		12,2	12,1	12,1	12,0	11,7	10,9	9,4	7,0	3,6					
NMT MAX II 100/180	1550	6,6		18,2	17,3	16,3	15,1	13,7	12,2	10,7	9,1	7,5	5,9	4,4	3,0	1,8	0,7

NMT MAX II - Flanged single-motor pump

Code	Type	EEI	Port to port length [mm]	Flange type	Nominal pressure	P _{max} [W]
979527976	NMT MAX II 32/120 F220	≤ 0,20	220	DN32	PN6/10	370
979528161	NMT MAX II 40/40 F220	≤ 0,20	220	DN40	PN6/10	110
979528162	NMT MAX II 40/40 F250	≤ 0,20	250	DN40	PN6/10	110
979527977	NMT MAX II 40/80 F220	≤ 0,20	220	DN40	PN6/10	270
979527981	NMT MAX II 40/80 F250	≤ 0,20	250	DN40	PN6/10	270
979527978	NMT MAX II 40/100 F220	≤ 0,20	220	DN40	PN6/10	380
979527983	NMT MAX II 40/100 F250	≤ 0,20	250	DN40	PN6/10	380
979527979	NMT MAX II 40/120 F220	≤ 0,20	220	DN40	PN6/10	480
979527984	NMT MAX II 40/120 F250	≤ 0,20	250	DN40	PN6/10	480
979527980	NMT MAX II 40/180 F220	≤ 0,21	220	DN40	PN6/10	680
979527985	NMT MAX II 40/180 F250	≤ 0,21	250	DN40	PN6/10	680
979528163	NMT MAX II 50/40 F280	≤ 0,20	280	DN50	PN6/10	160
979527986	NMT MAX II 50/80 F280	≤ 0,20	280	DN50	PN6/10	370
979527987	NMT MAX II 50/120 F280	≤ 0,20	280	DN50	PN6/10	560
979527988	NMT MAX II 50/180 F280	≤ 0,20	280	DN50	PN6/10	830
979527989	NMT MAX II 65/40 F340	≤ 0,20	340	DN65	PN6/10	230
979527990	NMT MAX II 65/80 F340	≤ 0,20	340	DN65	PN6/10	560
979527991	NMT MAX II 65/120 F340	≤ 0,20	340	DN65	PN6/10	810
979528211	NMT MAX II 65/180 F340	≤ 0,20	340	DN65	PN6/10	1550
979527992	NMT MAX II 80/40 F360 PN6	≤ 0,20	360	DN80	PN6	390
979527994	NMT MAX II 80/40 F360 PN10	≤ 0,20	360	DN80	PN10	390
979527993	NMT MAX II 80/80 F360 PN6	≤ 0,20	360	DN80	PN6	800
979527995	NMT MAX II 80/80 F360 PN10	≤ 0,20	360	DN80	PN10	800
979528212	NMT MAX II 80/120 F360 PN	≤ 0,20	360	DN80	PN6	1380
979528214	NMT MAX II 80/120 F360 PN10	≤ 0,20	360	DN80	PN10	1380
979528213	NMT MAX II 80/180 F360 PN6	≤ 0,20	360	DN80	PN6	1550
979528215	NMT MAX II 80/180 F360 PN10	≤ 0,20	360	DN80	PN10	1550
979527996	NMT MAX II 100/40 F450 PN6	≤ 0,20	450	DN100	PN6	390
979527997	NMT MAX II 100/40 F450 PN10	≤ 0,20	450	DN100	PN10	390
979528216	NMT MAX II 100/80 F450 PN6	≤ 0,20	450	DN100	PN6	1100
979528219	NMT MAX II 100/80 F450 PN10	≤ 0,20	450	DN100	PN10	1100
979528217	NMT MAX II 100/120 F450 PN6	≤ 0,20	450	DN100	PN6	1550
979528220	NMT MAX II 100/120 F450 PN10	≤ 0,20	450	DN100	PN10	1550
979528218	NMT MAX II 100/180 F450 PN6	≤ 0,20	450	DN100	PN6	1550
979528221	NMT MAX II 100/180 F450 PN10	≤ 0,20	450	DN100	PN10	1550

NMT MAX II S - Flanged single-motor pump with S communication module

Code	Type	EEI	Port to port length [mm]	Flange type	Nominal pressure	Pmax [W]
979527171	NMT MAX II S 32/120 F220	≤ 0,20	220	DN32	PN6/10	370
979528169	NMT MAX II S 40/40 F220	≤ 0,20	220	DN40	PN6/10	110
979528170	NMT MAX II S 40/40 F250	≤ 0,20	250	DN40	PN6/10	110
979527173	NMT MAX II S 40/80 F220	≤ 0,20	220	DN40	PN6/10	270
979527178	NMT MAX II S 40/80 F250	≤ 0,20	250	DN40	PN6/10	270
979527174	NMT MAX II S 40/100 F220	≤ 0,20	220	DN40	PN6/10	380
979527180	NMT MAX II S 40/100 F250	≤ 0,20	250	DN40	PN6/10	380
979527175	NMT MAX II S 40/120 F220	≤ 0,20	220	DN40	PN6/10	480
979527181	NMT MAX II S 40/120 F250	≤ 0,20	250	DN40	PN6/10	480
979527176	NMT MAX II S 40/180 F220	≤ 0,21	220	DN40	PN6/10	680
979527182	NMT MAX II S 40/180 F250	≤ 0,21	250	DN40	PN6/10	680
979528171	NMT MAX II S 50/40 F280	≤ 0,20	280	DN50	PN6/10	160
979527184	NMT MAX II S 50/80 F280	≤ 0,20	280	DN50	PN6/10	370
979527185	NMT MAX II S 50/120 F280	≤ 0,20	280	DN50	PN6/10	560
979527186	NMT MAX II S 50/180 F280	≤ 0,20	280	DN50	PN6/10	830
979527187	NMT MAX II S 65/40 F340	≤ 0,20	340	DN65	PN6/10	230
979527188	NMT MAX II S 65/80 F340	≤ 0,20	340	DN65	PN6/10	560
979527189	NMT MAX II S 65/120 F340	≤ 0,20	340	DN65	PN6/10	810
979528222	NMT MAX II S 65/180 F340	≤ 0,20	340	DN65	PN6/10	1550
979527190	NMT MAX II S 80/40 F360 PN6	≤ 0,20	360	DN80	PN6	390
979527192	NMT MAX II S 80/40 F360 PN10	≤ 0,20	360	DN80	PN10	390
979527191	NMT MAX II S 80/80 F360 PN6	≤ 0,20	360	DN80	PN6	800
979527193	NMT MAX II S 80/80 F360 PN10	≤ 0,20	360	DN80	PN10	800
979528223	NMT MAX II S 80/120 F360 PN6	≤ 0,20	360	DN80	PN6	1380
979528225	NMT MAX II S 80/120 F360 PN10	≤ 0,20	360	DN80	PN10	1380
979528224	NMT MAX II S 80/180 F360 PN6	≤ 0,20	360	DN80	PN6	1550
979528226	NMT MAX II S 80/180 F360 PN10	≤ 0,20	360	DN80	PN10	1550
979527194	NMT MAX II S 100/40 F450 PN6	≤ 0,20	450	DN100	PN6	390
979527195	NMT MAX II S 100/40 F450 PN10	≤ 0,20	450	DN100	PN10	390
979528227	NMT MAX II S 100/80 F450 PN6	≤ 0,20	450	DN100	PN6	1100
979528230	NMT MAX II S 100/80 F450 PN10	≤ 0,20	450	DN100	PN10	1100
979528228	NMT MAX II S 100/120 F450 PN6	≤ 0,20	450	DN100	PN6	1550
979528231	NMT MAX II S 100/120 F450 PN10	≤ 0,20	450	DN100	PN10	1550
979528229	NMT MAX II S 100/180 F450 PN6	≤ 0,20	450	DN100	PN6	1550
979528232	NMT MAX II S 100/180 F450 PN10	≤ 0,20	450	DN100	PN10	1550

NMT MAX II U - Flanged single-motor pump with U communication module

Code	Type	EEI	Port to port length [mm]	Flange type	Nominal pressure	Pmax [W]
979527945	NMT MAX II U 32/120 F220	≤ 0,20	220	DN32	PN6/10	370
979528177	NMT MAX II U 40/40 F220	≤ 0,20	220	DN40	PN6/10	110
979528178	NMT MAX II U 40/40 F250	≤ 0,20	250	DN40	PN6/10	110
979527946	NMT MAX II U 40/80 F220	≤ 0,20	220	DN40	PN6/10	270
979527950	NMT MAX II U 40/80 F250	≤ 0,20	250	DN40	PN6/10	270
979527947	NMT MAX II U 40/100 F220	≤ 0,20	220	DN40	PN6/10	380
979527952	NMT MAX II U 40/100 F250	≤ 0,20	250	DN40	PN6/10	380
979527948	NMT MAX II U 40/120 F220	≤ 0,20	220	DN40	PN6/10	480
979527953	NMT MAX II U 40/120 F250	≤ 0,20	250	DN40	PN6/10	480
979527949	NMT MAX II U 40/180 F220	≤ 0,21	220	DN40	PN6/10	680
979527954	NMT MAX II U 40/180 F250	≤ 0,21	250	DN40	PN6/10	680
979528179	NMT MAX II U 50/40 F280	≤ 0,20	280	DN50	PN6/10	160
979527955	NMT MAX II U 50/80 F280	≤ 0,20	280	DN50	PN6/10	370
979527956	NMT MAX II U 50/120 F280	≤ 0,20	280	DN50	PN6/10	560
979527957	NMT MAX II U 50/180 F280	≤ 0,20	280	DN50	PN6/10	830
979527958	NMT MAX II U 65/40 F340	≤ 0,20	340	DN65	PN6/10	230
979527959	NMT MAX II U 65/80 F340	≤ 0,20	340	DN65	PN6/10	560
979527960	NMT MAX II U 65/120 F340	≤ 0,20	340	DN65	PN6/10	810
979528233	NMT MAX II U 65/180 F340	≤ 0,20	340	DN65	PN6/10	1550
979527961	NMT MAX II U 80/40 F360 PN6	≤ 0,20	360	DN80	PN6	390
979527972	NMT MAX II U 80/40 F360 PN10	≤ 0,20	360	DN80	PN10	390
979527971	NMT MAX II U 80/80 F360 PN6	≤ 0,20	360	DN80	PN6	800
979527973	NMT MAX II U 80/80 F360 PN10	≤ 0,20	360	DN80	PN10	800
979528234	NMT MAX II U 80/120 F360 PN6	≤ 0,20	360	DN80	PN6	1380
979528236	NMT MAX II U 80/120 F360 PN10	≤ 0,20	360	DN80	PN10	1380
979528235	NMT MAX II U 80/180 F360 PN6	≤ 0,20	360	DN80	PN6	1550
979528237	NMT MAX II U 80/180 F360 PN10	≤ 0,20	360	DN80	PN10	1550
979527974	NMT MAX II U 100/40 F450 PN6	≤ 0,20	450	DN100	PN6	390
979527975	NMT MAX II U 100/40 F450 PN10	≤ 0,20	450	DN100	PN10	390
979528238	NMT MAX II U 100/80 F450 PN6	≤ 0,20	450	DN100	PN6	1100
979528241	NMT MAX II U 100/80 F450 PN10	≤ 0,20	450	DN100	PN10	1100
979528239	NMT MAX II U 100/120 F450 PN6	≤ 0,20	450	DN100	PN6	1550
979528242	NMT MAX II U 100/120 F450 PN10	≤ 0,20	450	DN100	PN10	1550
979528240	NMT MAX II U 100/180 F450 PN6	≤ 0,20	450	DN100	PN6	1550
979528243	NMT MAX II U 100/180 F450 PN10	≤ 0,20	450	DN100	PN10	1550

NMT MAX II C - Flanged single-motor pump with C communication module

Code	Type	EEI	Port to port length [mm]	Flange type	Nominal pressure	Pmax [W]
979527196	NMT MAX II C 32/120 F220	≤ 0,20	220	DN32	PN6/10	370
979528184	NMT MAX II C 40/40 F220	≤ 0,20	220	DN40	PN6/10	110
979528185	NMT MAX II C 40/40 F250	≤ 0,20	250	DN40	PN6/10	110
979527198	NMT MAX II C 40/80 F220	≤ 0,20	220	DN40	PN6/10	270
979527203	NMT MAX II C 40/80 F250	≤ 0,20	250	DN40	PN6/10	270
979527199	NMT MAX II C 40/100 F220	≤ 0,20	220	DN40	PN6/10	380
979527204	NMT MAX II C 40/100 F250	≤ 0,20	250	DN40	PN6/10	380
979527200	NMT MAX II C 40/120 F220	≤ 0,20	220	DN40	PN6/10	480
979527205	NMT MAX II C 40/120 F250	≤ 0,20	250	DN40	PN6/10	480
979527201	NMT MAX II C 40/180 F220	≤ 0,21	220	DN40	PN6/10	680
979527206	NMT MAX II C 40/180 F250	≤ 0,21	250	DN40	PN6/10	680
979528186	NMT MAX II C 50/40 F280	≤ 0,20	280	DN50	PN6/10	160
979527208	NMT MAX II C 50/80 F280	≤ 0,20	280	DN50	PN6/10	370
979527209	NMT MAX II C 50/120 F280	≤ 0,20	280	DN50	PN6/10	560
979527210	NMT MAX II C 50/180 F280	≤ 0,20	280	DN50	PN6/10	830
979527211	NMT MAX II C 65/40 F340	≤ 0,20	340	DN65	PN6/10	230
979527212	NMT MAX II C 65/80 F340	≤ 0,20	340	DN65	PN6/10	560
979527213	NMT MAX II C 65/120 F340	≤ 0,20	340	DN65	PN6/10	810
979528244	NMT MAX II C 65/180 F340	≤ 0,20	340	DN65	PN6/10	1550
979527215	NMT MAX II C 80/40 F360 PN6	≤ 0,20	360	DN80	PN6	390
979527219	NMT MAX II C 80/40 F360 PN10	≤ 0,20	360	DN80	PN10	390
979527216	NMT MAX II C 80/80 F360 PN6	≤ 0,20	360	DN80	PN6	800
979527220	NMT MAX II C 80/80 F360 PN10	≤ 0,20	360	DN80	PN10	800
979528245	NMT MAX II C 80/120 F360 PN6	≤ 0,20	360	DN80	PN6	1380
979528247	NMT MAX II C 80/120 F360 PN10	≤ 0,20	360	DN80	PN10	1380
979528246	NMT MAX II C 80/180 F360 PN6	≤ 0,20	360	DN80	PN6	1550
979528248	NMT MAX II C 80/180 F360 PN10	≤ 0,20	360	DN80	PN10	1550
979527223	NMT MAX II C 100/40 F450 PN6	≤ 0,20	450	DN100	PN6	390
979527227	NMT MAX II C 100/40 F450 PN10	≤ 0,20	450	DN100	PN10	390
979528249	NMT MAX II C 100/80 F450 PN6	≤ 0,20	450	DN100	PN6	1100
979528252	NMT MAX II C 100/80 F450 PN10	≤ 0,20	450	DN100	PN10	1100
979528250	NMT MAX II C 100/120 F450 PN6	≤ 0,20	450	DN100	PN6	1550
979528253	NMT MAX II C 100/120 F450 PN10	≤ 0,20	450	DN100	PN10	1550
979528251	NMT MAX II C 100/180 F450 PN6	≤ 0,20	450	DN100	PN6	1550
979528254	NMT MAX II C 100/180 F450 PN10	≤ 0,20	450	DN100	PN10	1550

NMTD MAX II - Flanged twin-motor pump

Code	Type	EEI	Port to port length [mm]	Flange type	Nominal pressure	P _{max} [W]
979528002	NMTD MAX II 32/120 F220	≤ 0,20	220	DN32	PN10	2x370
979528164	NMTD MAX II 40/40 F220	≤ 0,20	220	DN40	PN6/10	2x110
979528165	NMTD MAX II 40/40 F250	≤ 0,20	250	DN40	PN6/10	2x110
979528005	NMTD MAX II 40/80 F220	≤ 0,20	220	DN40	PN6/10	2x270
979528006	NMTD MAX II 40/80 F250	≤ 0,20	250	DN40	PN6/10	2x270
979528007	NMTD MAX II 40/100 F220	≤ 0,20	220	DN40	PN6/10	2x380
979528008	NMTD MAX II 40/100 F250	≤ 0,20	250	DN40	PN6/10	2x380
979528009	NMTD MAX II 40/120 F220	≤ 0,20	220	DN40	PN6/10	2x480
979528010	NMTD MAX II 40/120 F250	≤ 0,20	250	DN40	PN6/10	2x480
979528011	NMTD MAX II 40/180 F220	≤ 0,21	220	DN40	PN6/10	2x680
979528012	NMTD MAX II 40/180 F250	≤ 0,21	250	DN40	PN6/10	2x680
979528166	NMTD MAX II 50/40 F280	≤ 0,20	280	DN50	PN6/10	2x160
979528014	NMTD MAX II 50/80 F280	≤ 0,20	280	DN50	PN6/10	2x370
979528015	NMTD MAX II 50/120 F280	≤ 0,20	280	DN50	PN6/10	2x560
979528016	NMTD MAX II 50/180 F280	≤ 0,20	280	DN50	PN6/10	2x830
979528017	NMTD MAX II 65/40 F340	≤ 0,20	340	DN65	PN6/10	2x230
979528018	NMTD MAX II 65/80 F340	≤ 0,20	340	DN65	PN6/10	2x560
979528019	NMTD MAX II 65/120 F340	≤ 0,20	340	DN65	PN6/10	2x810
979528255	NMTD MAX II 65/180 F340	≤ 0,20	340	DN65	PN6/10	2x1550
979528020	NMTD MAX II 80/40 F360 PN6	≤ 0,20	360	DN80	PN6	2x390
979528021	NMTD MAX II 80/40 F360 PN10	≤ 0,20	360	DN80	PN10	2x390
979528022	NMTD MAX II 80/80 F360 PN6	≤ 0,20	360	DN80	PN6	2x800
979528023	NMTD MAX II 80/80 F360 PN10	≤ 0,20	360	DN80	PN10	2x800
979528256	NMTD MAX II 80/120 F360 PN6	≤ 0,20	360	DN80	PN6	2x1380
979528258	NMTD MAX II 80/120 F360 PN10	≤ 0,20	360	DN80	PN10	2x1380
979528257	NMTD MAX II 80/180 F360 PN6	≤ 0,20	360	DN80	PN6	2x1550
979528259	NMTD MAX II 80/180 F360 PN10	≤ 0,20	360	DN80	PN10	2x1550
979528024	NMTD MAX II 100/40 F450 PN6	≤ 0,20	450	DN100	PN6	2x390
979528025	NMTD MAX II 100/40 F450 PN10	≤ 0,20	450	DN100	PN10	2x390
979528260	NMTD MAX II 100/80 F450 PN6	≤ 0,20	450	DN100	PN6	2x1100
979528263	NMTD MAX II 100/80 F450 PN10	≤ 0,20	450	DN100	PN10	2x1100
979528261	NMTD MAX II 100/120 F450 PN6	≤ 0,20	450	DN100	PN6	2x1550
979528264	NMTD MAX II 100/120 F450 PN10	≤ 0,20	450	DN100	PN10	2x1550
979528262	NMTD MAX II 100/180 F450 PN6	≤ 0,20	450	DN100	PN6	2x1550
979528265	NMTD MAX II 100/180 F450 PN10	≤ 0,20	450	DN100	PN10	2x1550

NMTD MAX II S - Flanged twin-motor pump with S communication module

Code	Type	EEI	Port to port length [mm]	Flange type	Nominal pressure	P _{max} [W]
979527231	NMTD MAX II S 32/120 F220	≤ 0,20	220	DN32	PN10	2x370
979528172	NMTD MAX II S 40/40 F220	≤ 0,20	220	DN40	PN6/10	2x110
979528173	NMTD MAX II S 40/40 F250	≤ 0,20	250	DN40	PN6/10	2x110
979527233	NMTD MAX II S 40/80 F220	≤ 0,20	220	DN40	PN6/10	2x270
979527237	NMTD MAX II S 40/80 F250	≤ 0,20	250	DN40	PN6/10	2x270
979528026	NMTD MAX II S 40/100 F220	≤ 0,20	220	DN40	PN6/10	2x380
979528027	NMTD MAX II S 40/100 F250	≤ 0,20	250	DN40	PN6/10	2x380
979527234	NMTD MAX II S 40/120 F220	≤ 0,20	220	DN40	PN6/10	2x480
979527238	NMTD MAX II S 40/120 F250	≤ 0,20	250	DN40	PN6/10	2x480
979527235	NMTD MAX II S 40/180 F220	≤ 0,21	220	DN40	PN6/10	2x680
979527239	NMTD MAX II S 40/180 F250	≤ 0,21	250	DN40	PN6/10	2x680
979528174	NMTD MAX II S 50/40 F280	≤ 0,20	280	DN50	PN6/10	2x160
979527241	NMTD MAX II S 50/80 F280	≤ 0,20	280	DN50	PN6/10	2x370
979527242	NMTD MAX II S 50/120 F280	≤ 0,20	280	DN50	PN6/10	2x560
979527243	NMTD MAX II S 50/180 F280	≤ 0,20	280	DN50	PN6/10	2x830
979527244	NMTD MAX II S 65/40 F340	≤ 0,20	340	DN65	PN6/10	2x230
979527245	NMTD MAX II S 65/80 F340	≤ 0,20	340	DN65	PN6/10	2x560
979527246	NMTD MAX II S 65/120 F340	≤ 0,20	340	DN65	PN6/10	2x810
979528266	NMTD MAX II S 65/180 F340	≤ 0,20	340	DN65	PN6/10	2x1550
979527247	NMTD MAX II S 80/40 F360 PN6	≤ 0,20	360	DN80	PN6	2x390
979527249	NMTD MAX II S 80/40 F360 PN10	≤ 0,20	360	DN80	PN10	2x390
979527248	NMTD MAX II S 80/80 F360 PN6	≤ 0,20	360	DN80	PN6	2x800
979527250	NMTD MAX II S 80/80 F360 PN10	≤ 0,20	360	DN80	PN10	2x800
979528267	NMTD MAX II S 80/120 F360 PN6	≤ 0,20	360	DN80	PN6	2x1380
979528269	NMTD MAX II S 80/120 F360 PN10	≤ 0,20	360	DN80	PN10	2x1380
979528268	NMTD MAX II S 80/180 F360 PN6	≤ 0,20	360	DN80	PN6	2x1550
979528270	NMTD MAX II S 80/180 F360 PN10	≤ 0,20	360	DN80	PN10	2x1550
979527251	NMTD MAX II S 100/40 F450 PN6	≤ 0,20	450	DN100	PN6	2x390
979527252	NMTD MAX II S 100/40 F450 PN10	≤ 0,20	450	DN100	PN10	2x390
979528271	NMTD MAX II S 100/80 F450 PN6	≤ 0,20	450	DN100	PN6	2x1100
979528274	NMTD MAX II S 100/80 F450 PN10	≤ 0,20	450	DN100	PN10	2x1100
979528272	NMTD MAX II S 100/120 F450 PN6	≤ 0,20	450	DN100	PN6	2x1550
979528275	NMTD MAX II S 100/120 F450 PN10	≤ 0,20	450	DN100	PN10	2x1550
979528273	NMTD MAX II S 100/180 F450 PN6	≤ 0,20	450	DN100	PN6	2x1550
979528276	NMTD MAX II S 100/180 F450 PN10	≤ 0,20	450	DN100	PN10	2x1550

NMTD MAX II U - Flanged twin-motor pump with U communication module

Code	Type	EEl	Port to port length [mm]	Flange type	Nominal pressure	P _{max} [W]
979528028	NMTD MAX II U 32/120 F220	≤ 0,20	220	DN32	PN10	2x370
979528180	NMTD MAX II U 40/40 F220	≤ 0,20	220	DN40	PN6/10	2x110
979528181	NMTD MAX II U 40/40 F250	≤ 0,20	250	DN40	PN6/10	2x110
979528031	NMTD MAX II U 40/80 F220	≤ 0,20	220	DN40	PN6/10	2x270
979528032	NMTD MAX II U 40/80 F250	≤ 0,20	250	DN40	PN6/10	2x270
979528033	NMTD MAX II U 40/100 F220	≤ 0,20	220	DN40	PN6/10	2x380
979528034	NMTD MAX II U 40/100 F250	≤ 0,20	250	DN40	PN6/10	2x380
979528035	NMTD MAX II U 40/120 F220	≤ 0,20	220	DN40	PN6/10	2x480
979528036	NMTD MAX II U 40/120 F250	≤ 0,20	250	DN40	PN6/10	2x480
979528037	NMTD MAX II U 40/180 F220	≤ 0,21	220	DN40	PN6/10	2x680
979528038	NMTD MAX II U 40/180 F250	≤ 0,21	250	DN40	PN6/10	2x680
979528182	NMTD MAX II U 50/40 F280	≤ 0,20	280	DN50	PN6/10	2x160
979528040	NMTD MAX II U 50/80 F280	≤ 0,20	280	DN50	PN6/10	2x370
979528041	NMTD MAX II U 50/120 F280	≤ 0,20	280	DN50	PN6/10	2x560
979528042	NMTD MAX II U 50/180 F280	≤ 0,20	280	DN50	PN6/10	2x830
979528043	NMTD MAX II U 65/40 F340	≤ 0,20	340	DN65	PN6/10	2x230
979528044	NMTD MAX II U 65/80 F340	≤ 0,20	340	DN65	PN6/10	2x560
979528045	NMTD MAX II U 65/120 F340	≤ 0,20	340	DN65	PN6/10	2x810
979528277	NMTD MAX II U 65/180 F340	≤ 0,20	340	DN65	PN6/10	2x1550
979528046	NMTD MAX II U 80/40 F360 PN6	≤ 0,20	360	DN80	PN6	2x390
979528047	NMTD MAX II U 80/40 F360 PN10	≤ 0,20	360	DN80	PN10	2x390
979528048	NMTD MAX II U 80/80 F360 PN6	≤ 0,20	360	DN80	PN6	2x800
979528049	NMTD MAX II U 80/80 F360 PN10	≤ 0,20	360	DN80	PN10	2x800
979528278	NMTD MAX II U 80/120 F360 PN6	≤ 0,20	360	DN80	PN6	2x1380
979528280	NMTD MAX II U 80/120 F360 PN10	≤ 0,20	360	DN80	PN10	2x1380
979528279	NMTD MAX II U 80/180 F360 PN6	≤ 0,20	360	DN80	PN6	2x1550
979528281	NMTD MAX II U 80/180 F360 PN10	≤ 0,20	360	DN80	PN10	2x1550
979528050	NMTD MAX II U 100/40 F450 PN6	≤ 0,20	450	DN100	PN6	2x390
979528051	NMTD MAX II U 100/40 F450 PN10	≤ 0,20	450	DN100	PN10	2x390
979528282	NMTD MAX II U 100/80 F450 PN6	≤ 0,20	450	DN100	PN6	2x1100
979528285	NMTD MAX II U 100/80 F450 PN10	≤ 0,20	450	DN100	PN10	2x1100
979528283	NMTD MAX II U 100/120 F450 PN6	≤ 0,20	450	DN100	PN6	2x1550
979528286	NMTD MAX II U 100/120 F450 PN10	≤ 0,20	450	DN100	PN10	2x1550
979528284	NMTD MAX II U 100/180 F450 PN6	≤ 0,20	450	DN100	PN6	2x1550
979528287	NMTD MAX II U 100/180 F450 PN10	≤ 0,20	450	DN100	PN10	2x1550

NMTD MAX II C - Flanged twin-motor pump with C communication module

Code	Type	EEl	Port to port length [mm]	Flange type	Nominal pressure	P _{max} [W]
979527253	NMTD MAX II C 32/120 F220	≤ 0,20	220	DN32	PN10	2x370
979528187	NMTD MAX II C 40/40 F220	≤ 0,20	220	DN40	PN6/10	2x110
979528188	NMTD MAX II C 40/40 F250	≤ 0,20	250	DN40	PN6/10	2x110
979527255	NMTD MAX II C 40/80 F220	≤ 0,20	220	DN40	PN6/10	2x270
979527259	NMTD MAX II C 40/80 F250	≤ 0,20	250	DN40	PN6/10	2x270
979528054	NMTD MAX II C 40/100 F220	≤ 0,20	220	DN40	PN6/10	2x380
979528055	NMTD MAX II C 40/100 F250	≤ 0,20	250	DN40	PN6/10	2x380
979527256	NMTD MAX II C 40/120 F220	≤ 0,20	220	DN40	PN6/10	2x480
979527260	NMTD MAX II C 40/120 F250	≤ 0,20	250	DN40	PN6/10	2x480
979527257	NMTD MAX II C 40/180 F220	≤ 0,21	220	DN40	PN6/10	2x680
979527261	NMTD MAX II C 40/180 F250	≤ 0,21	250	DN40	PN6/10	2x680
979528189	NMTD MAX II C 50/40 F280	≤ 0,20	280	DN50	PN6/10	2x160
979527263	NMTD MAX II C 50/80 F280	≤ 0,20	280	DN50	PN6/10	2x370
979527264	NMTD MAX II C 50/120 F280	≤ 0,20	280	DN50	PN6/10	2x560
979527265	NMTD MAX II C 50/180 F280	≤ 0,20	280	DN50	PN6/10	2x830
979527266	NMTD MAX II C 65/40 F340	≤ 0,20	340	DN65	PN6/10	2x230
979527267	NMTD MAX II C 65/80 F340	≤ 0,20	340	DN65	PN6/10	2x560
979527268	NMTD MAX II C 65/120 F340	≤ 0,20	340	DN65	PN6/10	2x810
979528288	NMTD MAX II C 65/180 F340	≤ 0,20	340	DN65	PN6/10	2x1550
979527270	NMTD MAX II C 80/40 F360 PN6	≤ 0,20	360	DN80	PN6	2x390
979527274	NMTD MAX II C 80/40 F360 PN10	≤ 0,20	360	DN80	PN10	2x390
979527271	NMTD MAX II C 80/80 F360 PN6	≤ 0,20	360	DN80	PN6	2x800
979527275	NMTD MAX II C 80/80 F360 PN10	≤ 0,20	360	DN80	PN10	2x800
979528289	NMTD MAX II C 80/120 F360 PN6	≤ 0,20	360	DN80	PN6	2x1380
979528291	NMTD MAX II C 80/120 F360 PN10	≤ 0,20	360	DN80	PN10	2x1380
979528290	NMTD MAX II C 80/180 F360 PN6	≤ 0,20	360	DN80	PN6	2x1550
979528292	NMTD MAX II C 80/180 F360 PN10	≤ 0,20	360	DN80	PN10	2x1550
979527278	NMTD MAX II C 100/40 F450 PN6	≤ 0,20	450	DN100	PN6	2x390
979527282	NMTD MAX II C 100/40 F450 PN10	≤ 0,20	450	DN100	PN10	2x390
979528293	NMTD MAX II C 100/80 F450 PN6	≤ 0,20	450	DN100	PN6	2x1100
979528296	NMTD MAX II C 100/80 F450 PN10	≤ 0,20	450	DN100	PN10	2x1100
979528294	NMTD MAX II C 100/120 F450 PN6	≤ 0,20	450	DN100	PN6	2x1550
979528297	NMTD MAX II C 100/120 F450 PN10	≤ 0,20	450	DN100	PN10	2x1550
979528295	NMTD MAX II C 100/180 F450 PN6	≤ 0,20	450	DN100	PN6	2x1550
979528298	NMTD MAX II C 100/180 F450 PN10	≤ 0,20	450	DN100	PN10	2x1550

NMT SAN MAX II - Flanged single-motor pumps for drinking and domestic water supply systems

Code	Type	EEI	Port to port length [mm]	Flange type	Nominal pressure	P _{max} [W]
979528167	NMT SAN MAX II 40/40 F250	≤ 0,20	250	DN40	PN6/10	110
979528060	NMT SAN MAX II 40/80 F250	≤ 0,20	250	DN40	PN6/10	270
979528062	NMT SAN MAX II 40/100 F250	≤ 0,20	250	DN40	PN6/10	380
979528064	NMT SAN MAX II 40/120 F250	≤ 0,20	250	DN40	PN6/10	480
979528066	NMT SAN MAX II 40/180 F250	≤ 0,21	250	DN40	PN6/10	680
979528168	NMT SAN MAX II 50/40 F280	≤ 0,20	280	DN50	PN6/10	160
979528068	NMT SAN MAX II 50/80 F280	≤ 0,20	280	DN50	PN6/10	370
979528069	NMT SAN MAX II 50/120 F280	≤ 0,20	280	DN50	PN6/10	560
979528070	NMT SAN MAX II 50/180 F280	≤ 0,20	280	DN50	PN6/10	830
979528071	NMT SAN MAX II 65/40 F340	≤ 0,20	340	DN65	PN6/10	230
979528072	NMT SAN MAX II 65/80 F340	≤ 0,20	340	DN65	PN6/10	560
979528073	NMT SAN MAX II 65/120 F340	≤ 0,20	340	DN65	PN6/10	810
979528336	NMT SAN MAX II 65/180 F340	≤ 0,20	340	DN65	PN6/10	1550
979528074	NMT SAN MAX II 80/40 F360 PN6	≤ 0,20	360	DN80	PN6	390
979528075	NMT SAN MAX II 80/40 F360 PN10	≤ 0,20	360	DN80	PN10	390
979528076	NMT SAN MAX II 80/80 F360 PN6	≤ 0,20	360	DN80	PN6	800
979528077	NMT SAN MAX II 80/80 F360 PN10	≤ 0,20	360	DN80	PN10	800
979528337	NMT SAN MAX II 80/120 F360 PN6	≤ 0,20	360	DN80	PN6	1380
979528338	NMT SAN MAX II 80/120 F360 PN10	≤ 0,20	360	DN80	PN10	1380
979528339	NMT SAN MAX II 80/180 F360 PN6	≤ 0,20	360	DN80	PN6	1550
979528340	NMT SAN MAX II 80/180 F360 PN10	≤ 0,20	360	DN80	PN10	1550

NMT SAN MAX II S - Flanged single-motor pumps for drinking and domestic water supply systems with S communication module

Code	Type	EEl	Port to port length [mm]	Flange type	Nominal pressure	Pmax [W]
979528175	NMT SAN MAX II S 40/40 F250	≤ 0,20	250	DN40	PN6/10	110
979527287	NMT SAN MAX II S 40/80 F250	≤ 0,20	250	DN40	PN6/10	270
979528082	NMT SAN MAX II S 40/100 F250	≤ 0,20	250	DN40	PN6/10	380
979527288	NMT SAN MAX II S 40/120 F250	≤ 0,20	250	DN40	PN6/10	480
979527289	NMT SAN MAX II S 40/180 F250	≤ 0,21	250	DN40	PN6/10	680
979528176	NMT SAN MAX II S 50/40 F280	≤ 0,20	280	DN50	PN6/10	160
979527291	NMT SAN MAX II S 50/80 F280	≤ 0,20	280	DN50	PN6/10	370
979527292	NMT SAN MAX II S 50/120 F280	≤ 0,20	280	DN50	PN6/10	560
979527293	NMT SAN MAX II S 50/180 F280	≤ 0,20	280	DN50	PN6/10	830
979527294	NMT SAN MAX II S 65/40 F340	≤ 0,20	340	DN65	PN6/10	230
979527295	NMT SAN MAX II S 65/80 F340	≤ 0,20	340	DN65	PN6/10	560
979527296	NMT SAN MAX II S 65/120 F340	≤ 0,20	340	DN65	PN6/10	810
979528341	NMT SAN MAX II S 65/180 F340	≤ 0,20	340	DN65	PN6/10	1550
979528086	NMT SAN MAX II S 80/40 F360 PN6	≤ 0,20	360	DN80	PN6	390
979528087	NMT SAN MAX II S 80/40 F360 PN10	≤ 0,20	360	DN80	PN10	390
979528088	NMT SAN MAX II S 80/80 F360 PN6	≤ 0,20	360	DN80	PN6	800
979528089	NMT SAN MAX II S 80/80 F360 PN10	≤ 0,20	360	DN80	PN10	800
979528342	NMT SAN MAX II S 80/120 F360 PN6	≤ 0,20	360	DN80	PN6	1380
979528343	NMT SAN MAX II S 80/120 F360 PN10	≤ 0,20	360	DN80	PN10	1380
979528344	NMT SAN MAX II S 80/180 F360 PN6	≤ 0,20	360	DN80	PN6	1550
979528345	NMT SAN MAX II S 80/180 F360 PN10	≤ 0,20	360	DN80	PN10	1550

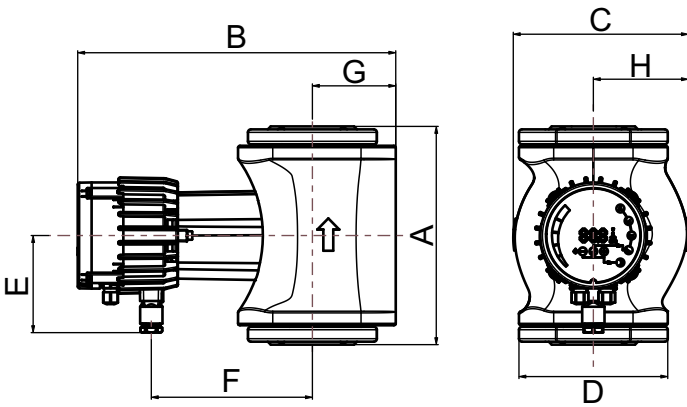
NMT SAN MAX II U - Flanged single-motor pumps for drinking and domestic water supply systems with U communication module

Code	Type	EEI	Port to port length [mm]	Flange type	Nominal pressure	P _{max} [W]
979528183	NMT SAN MAX II U 40/40 F250	≤ 0,20	250	DN40	PN6/10	110
979528093	NMT SAN MAX II U 40/80 F250	≤ 0,20	250	DN40	PN6/10	270
979528095	NMT SAN MAX II U 40/100 F250	≤ 0,20	250	DN40	PN6/10	380
979528097	NMT SAN MAX II U 40/120 F250	≤ 0,20	250	DN40	PN6/10	480
979528099	NMT SAN MAX II U 40/180 F250	≤ 0,21	250	DN40	PN6/10	680
979528100	NMT SAN MAX II U 50/80 F280	≤ 0,20	280	DN50	PN6/10	370
979528101	NMT SAN MAX II U 50/120 F280	≤ 0,20	280	DN50	PN6/10	560
979528102	NMT SAN MAX II U 50/180 F280	≤ 0,20	280	DN50	PN6/10	830
979528103	NMT SAN MAX II U 65/40 F340	≤ 0,20	340	DN65	PN6/10	230
979528104	NMT SAN MAX II U 65/80 F340	≤ 0,20	340	DN65	PN6/10	560
979528105	NMT SAN MAX II U 65/120 F340	≤ 0,20	340	DN65	PN6/10	810
979528346	NMT SAN MAX II U 65/180 F340	≤ 0,20	340	DN65	PN6/10	1550
979528106	NMT SAN MAX II U 80/40 F360 PN6	≤ 0,20	360	DN80	PN6	390
979528107	NMT SAN MAX II U 80/40 F360 PN10	≤ 0,20	360	DN80	PN10	390
979528108	NMT SAN MAX II U 80/80 F360 PN6	≤ 0,20	360	DN80	PN6	800
979528109	NMT SAN MAX II U 80/80 F360 PN10	≤ 0,20	360	DN80	PN10	800
979528347	NMT SAN MAX II U 80/120 F360 PN6	≤ 0,20	360	DN80	PN6	1380
979528348	NMT SAN MAX II U 80/120 F360 PN10	≤ 0,20	360	DN80	PN10	1380
979528349	NMT SAN MAX II U 80/180 F360 PN6	≤ 0,20	360	DN80	PN6	1550
979528350	NMT SAN MAX II U 80/180 F360 PN10	≤ 0,20	360	DN80	PN10	1550

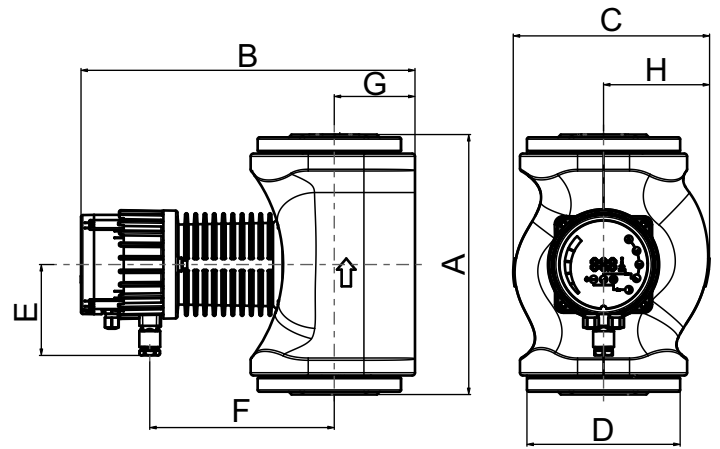
NMT SAN MAX II C - Flanged single-motor pumps for drinking and domestic water supply systems with C communication module

Code	Type	EEI	Port to port length [mm]	Flange type	Nominal pressure	P _{max} [W]
979528190	NMT SAN MAX II C 40/40 F250	≤ 0,20	250	DN40	PN6/10	110
979527298	NMT SAN MAX II C 40/80 F250	≤ 0,20	250	DN40	PN6/10	270
979528114	NMT SAN MAX II C 40/100 F250	≤ 0,20	250	DN40	PN6/10	380
979527299	NMT SAN MAX II C 40/120 F250	≤ 0,20	250	DN40	PN6/10	480
979527300	NMT SAN MAX II C 40/180 F250	≤ 0,21	250	DN40	PN6/10	680
979528191	NMT SAN MAX II C 50/40 F280	≤ 0,20	280	DN50	PN6/10	160
979527302	NMT SAN MAX II C 50/80 F280	≤ 0,20	280	DN50	PN6/10	370
979527303	NMT SAN MAX II C 50/120 F280	≤ 0,20	280	DN50	PN6/10	560
979527304	NMT SAN MAX II C 50/180 F280	≤ 0,20	280	DN50	PN6/10	830
979527305	NMT SAN MAX II C 65/40 F340	≤ 0,20	340	DN65	PN6/10	230
979527306	NMT SAN MAX II C 65/80 F340	≤ 0,20	340	DN65	PN6/10	560
979527307	NMT SAN MAX II C 65/120 F340	≤ 0,20	340	DN65	PN6/10	810
979528351	NMT SAN MAX II C 65/180 F340	≤ 0,20	340	DN65	PN6/10	1550
979527309	NMT SAN MAX II C 80/40 F360 PN6	≤ 0,20	360	DN80	PN6	390
979527313	NMT SAN MAX II C 80/40 F360 PN10	≤ 0,20	360	DN80	PN10	390
979527310	NMT SAN MAX II C 80/80 F360 PN6	≤ 0,20	360	DN80	PN6	800
979527314	NMT SAN MAX II C 80/80 F360 PN10	≤ 0,20	360	DN80	PN10	800
979528352	NMT SAN MAX II C 80/120 F360 PN6	≤ 0,20	360	DN80	PN6	1380
979528353	NMT SAN MAX II C 80/120 F360 PN10	≤ 0,20	360	DN80	PN10	1380
979528354	NMT SAN MAX II C 80/180 F360 PN6	≤ 0,20	360	DN80	PN6	1550
979528355	NMT SAN MAX II C 80/180 F360 PN10	≤ 0,20	360	DN80	PN10	1550

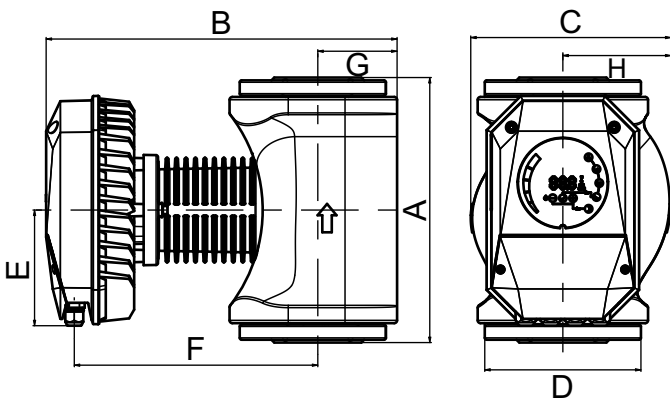
Dimensions NMT MAX



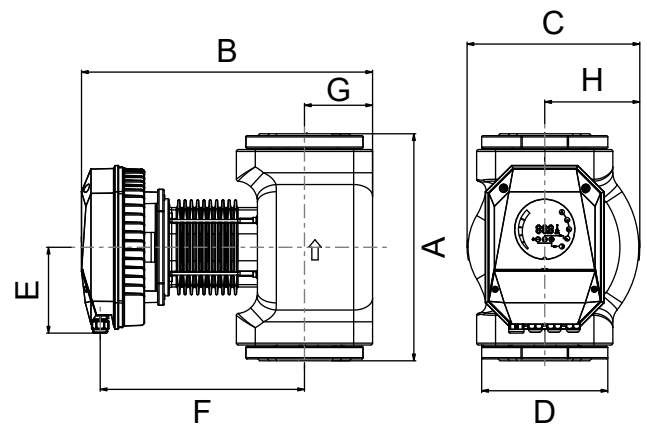
Type	A	B	C	D	E	F	G	H
NMT MAX II 40/40	220/250	321	177	150	98	162	84	96



Type	A	B	C	D	E	F	G	H
NMT MAX II 50/40	280	345	212	165	98	199	87	114

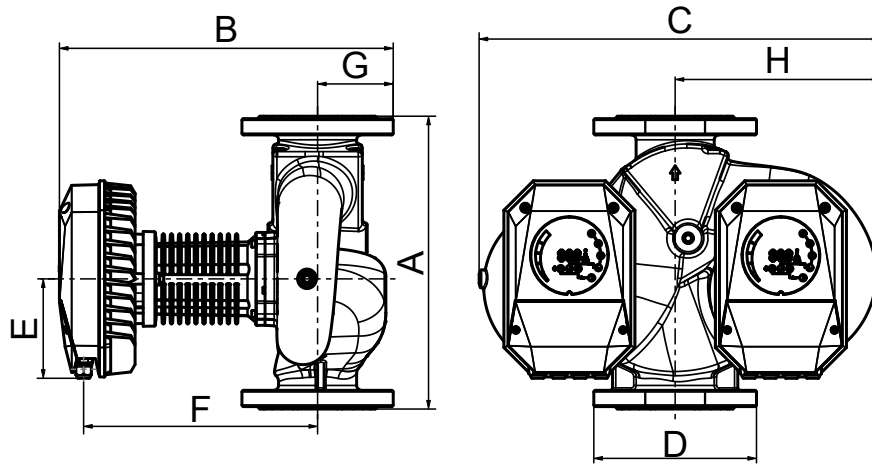


Type	A	B	C	D	E	F	G	H
NMT MAX II 32/120	220	379	179	150	122	266	83	97
NMT MAX II 40/80	220/250	380	179	150	122	266	83	97
NMT MAX II 40/100	220/250	380	179	150	122	266	83	97
NMT MAX II 40/120	220/250	380	179	150	122	266	83	97
NMT MAX II 40/180	220/250	390	179	150	122	276	83	97
NMT MAX II 50/80	280	371	210	165	122	157	84	114
NMT MAX II 50/120	280	371	210	165	122	157	84	114
NMT MAX II 50/180	280	381	210	165	122	167	84	114
NMT MAX II 65/40	340	402	214	185	122	226	95	118
NMT MAX II 65/80	340	402	214	185	122	226	95	118
NMT MAX II 65/120	340	412	214	185	122	236	95	118
NMT MAX II 80/40	360	415	273	200	122	278	108	150
NMT MAX II 80/80	360	425	273	200	122	288	108	150
NMT MAX II 100/40	450	415	273	220	122	278	108	150



Type	A	B	C	D	E	F	G	H
NMT MAX II 65/180	340	454	215	185	137	325	96	120
NMT MAX II 80/120	360	476	274	200	144	335	108	150
NMT MAX II 80/180	360	476	274	200	144	335	108	150
NMT MAX II 100/80	450	476	274	220	144	335	108	150
NMT MAX II 100/120	450	476	274	220	144	335	108	150
NMT MAX II 100/180	450	476	274	220	144	335	108	150

Dimensions NMTD MAX



Type	A	B	C	D	E	F	G	H
NMTD MAX II 32/120	220	361	371	150	122	266	65	188
NMTD MAX II 40/80	220/250	361	371	150	122	266	65	188
NMTD MAX II 40/100	220/250	361	371	150	122	266	65	188
NMTD MAX II 40/120	220/250	361	371	150	122	266	65	188
NMTD MAX II 40/180	220/250	371	371	150	122	276	65	188
NMTD MAX II 50/80	280	371	400	165	122	266	72	203
NMTD MAX II 50/120	280	371	400	165	122	266	72	203
NMTD MAX II 50/180	280	381	400	165	122	275	72	203
NMTD MAX II 65/40	340	368	442	185	122	266	75	226
NMTD MAX II 65/80	340	368	442	185	122	266	75	226
NMTD MAX II 65/120	340	412	442	185	122	275	75	226
NMTD MAX II 80/40	360	390	494	200	122	278	93	253
NMTD MAX II 80/80	360	390	494	200	122	288	93	253
NMTD MAX II 80/120	360	447	494	200	136	324	93	241
NMTD MAX II 80/180	360	447	494	200	136	324	93	241
NMTD MAX II 100/40	450	410	494	220	122	278	108	253
NMTD MAX II 100/80	450	410	494	220	136	324	108	253
NMTD MAX II 100/120	450	410	494	220	136	324	108	253
NMTD MAX II 100/180	450	410	494	220	136	324	108	253

SAN ECO PRO - Spherical motor pumps for domestic water supply systems



SAN ECO PRO xx / xx B(TU)



SAN ECO PRO 15/15

Highly efficient, manually adjustable circulating pumps for hot water..
The spherical motor - without shaft.
Bronze hydraulics for domestic water supply systems.

4 versions of pumps:

- B basic version
- BT with thermostat (range 20 - 70 °C)
- BU with timer
- BTU with thermostat (range 20 - 70 °C) and timer

Operating temperature

ambient: 0 - 40°C
fluid: 5 - 95°C

Technical specification

Flow range, Q	up to 1,2 m ³ /h
Head range, H	up to 0,8 m
Diameter nominal, DN	15
Installation	threaded
Pipe thread	G 1
Insulation class	F
Degree of protection	IP 44
Voltage	1 - 230V, 50 Hz



B - basic version



BT - with thermostat (20°C - 70°C)

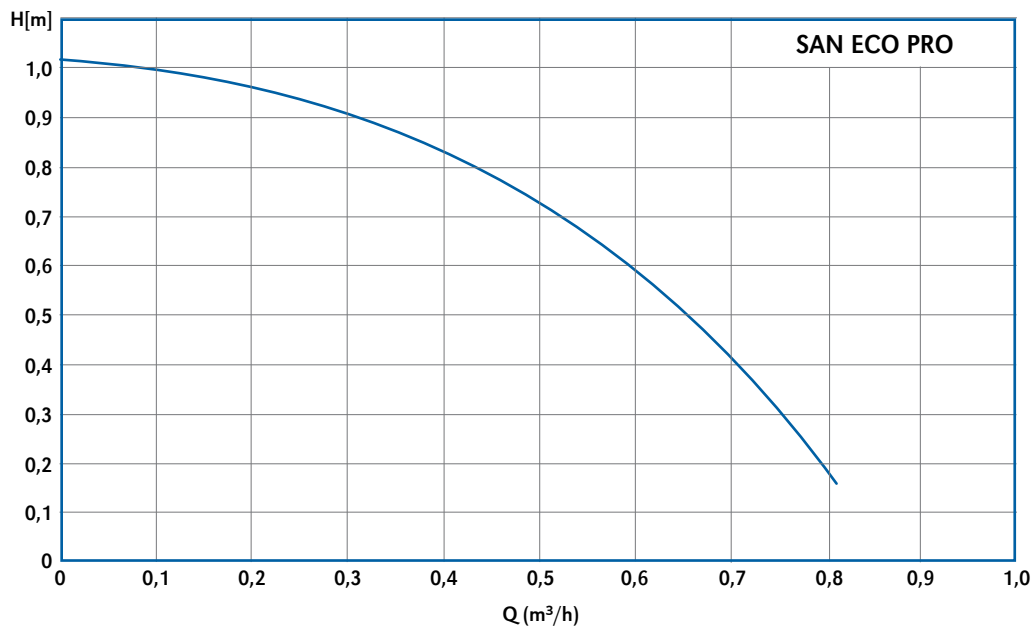


BU - with timer



**BTU - with thermostat (20°C - 70°C)
and timer**

Performance range



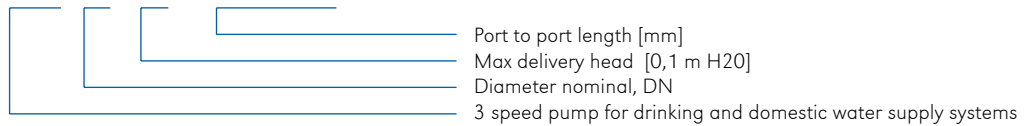
SAN ECO PRO - Circulating pumps for domestic water supply systems

Code	Type	Port to port length [mm]	Pipe thread	Pmax [W]	Weight [kg]
979527868	SAN ECO PRO 15/15 B	65	G 1	10	0,85
979527869	SAN ECO PRO 15/15 BU	65	G 1	10	0,85
979527870	SAN ECO PRO 15/15 BTU	65	G 1	10	0,85
979527871	SAN ECO PRO 15/15 BT	65	G 1	10	0,85

SAN - Threaded single-motor 3-speed pumps for drinking and domestic water supply systems



SAN xx / xx - 130 (180)



SAN xx / xx - 130 (180)

- 3-speed pump for drinking and domestic water supply systems
- Bronze hydraulics
- Robust construction
- Maintenance-free operation

Minimum inlet pressure

0.05 bar < 75 °C (fluid temperature)
 0.28 bar < 90 °C (fluid temperature)

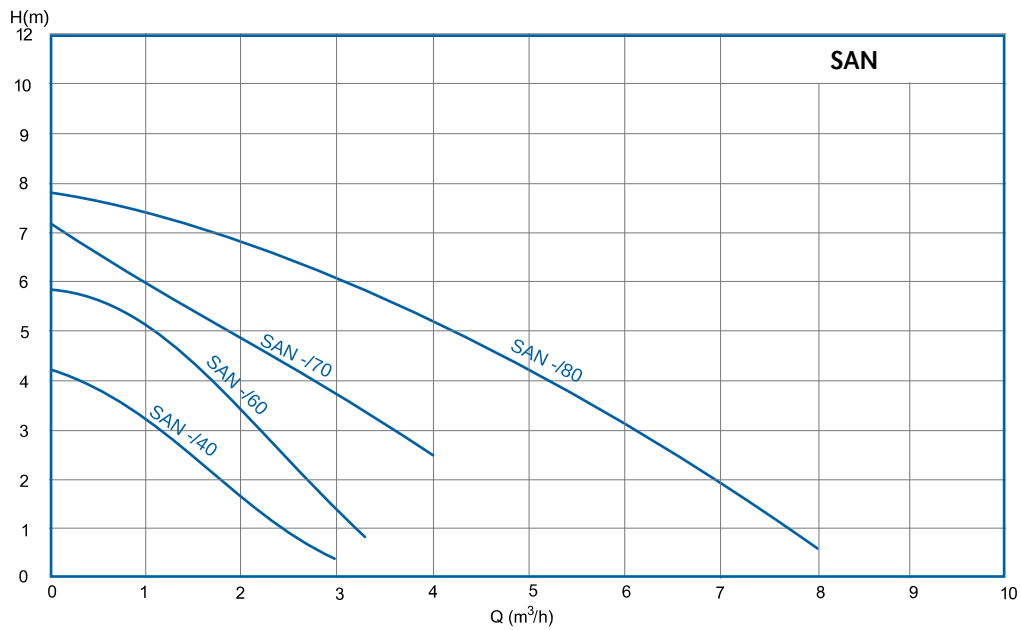
Technical specification

Flow range, Q	up to 8,4 m ³ /h
Head range, H	up to 8 m
Diameter nominal, DN	15/20/25/32
Installation	threaded
Pipe thread	G 1 / G 1 ¼ / G 1 ½ / G 2
Insulation class	H
Degree of protection	IP 44
Voltage	1 ~ 230V, 50 Hz

Material

Hydraulic casing	bronze
Impeller	polyamid, PES
Shaft	stainless steel AISI 316
Bearings	all carbon
Rotor can	stainless steel AISI 316

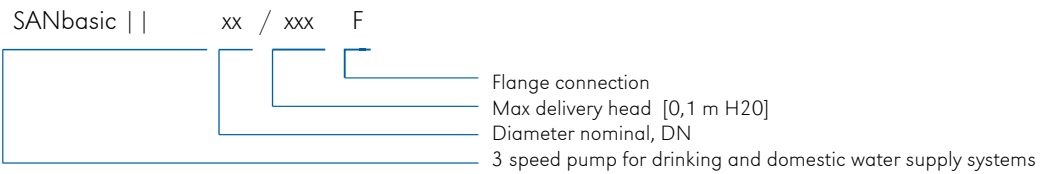
Performance range



SAN - Threaded single-motor 3-speed pumps for drinking and domestic water supply systems

Code	Type	Port to port length [mm]	Pipe thread	Pmax [W]	Weight [kg]
979521765	SAN 15/40-130	130	G 1	75	2,30
979521766	SAN 20/40-130	130	G 1 ¼	75	2,40
979521767	SAN 25/40-130	130	G 1 ½	75	2,50
979521768	SAN 15/60-130	130	G 1	90	2,40
979521769	SAN 20/60-130	130	G 1 ¼	90	2,50
979521770	SAN 25/60-130	130	G 1 ½	90	2,65
979522018	SAN 20/70-130	130	G 1 ¼	140	2,60
979522006	SAN 25/70-130	130	G 1 ½	140	2,65
979523509	SAN 25/60-180	180	G 1 ½	90	2,90
979523510	SAN 32/80-180	180	G 2	210	5,10

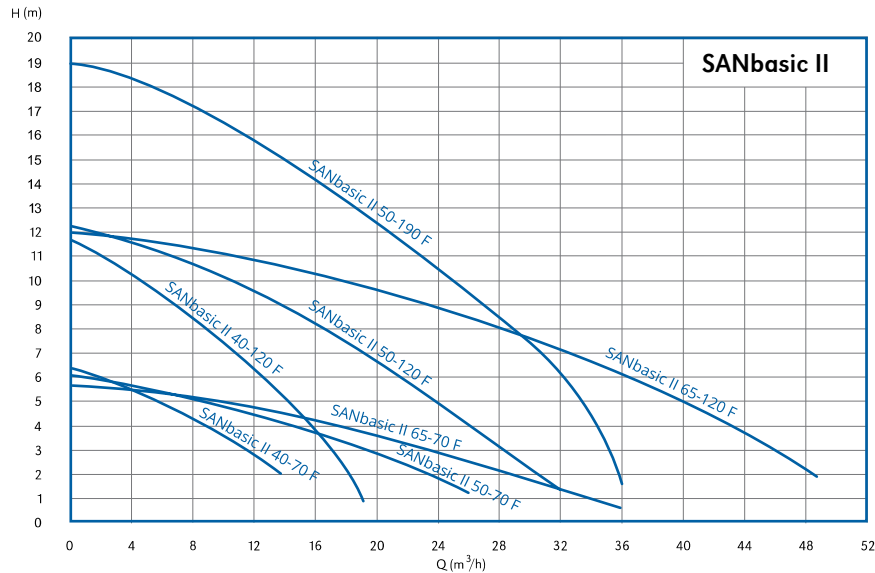
SANbasic II F – Flange pump for drinking and domestic water supply systems



3-speed pumps for sanitary water

Flanged, bronze hydraulic, standard voltage 400V (230V optional)

Performance range



SANbasic II - 3-speed flange pumps

Code	Type	Port to port length [mm]	Flange type	Nominal pressure	Pmax [W]	Weight [kg]
979524616	SANbasic II 40-120 F250	250	DN40	PN6/10	573	20,50
979524617	SANbasic II 40-70 F250	250	DN40	PN6/10	317	20,30
979524622	SANbasic II 50-190 F280	280	DN50	PN6/10	1596	27,10
979524618	SANbasic II 50-120 F280	280	DN50	PN6/10	1085	26,60
979524619	SANbasic II 50-70 F280	280	DN50	PN6/10	465	27,30
979524620	SANbasic II 65-120 F340	340	DN65	PN6/10	1522	32,20
979524621	SANbasic II 65-70 F340	340	DN65	PN6/10	578	30,00

NMT PLUS COMFORT - THE HOME PRESSURE BOOSTER

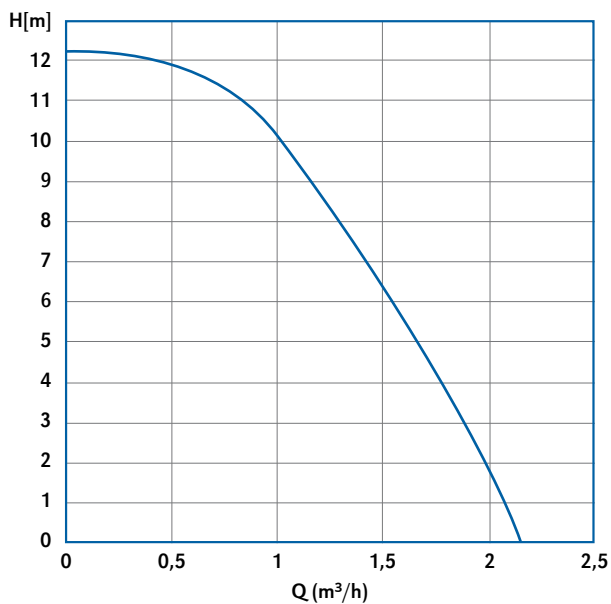


NMT PLUS COMFORT
15/120-130
979527308



NMT PLUS COMFORT INOX
15/120-130
979528160

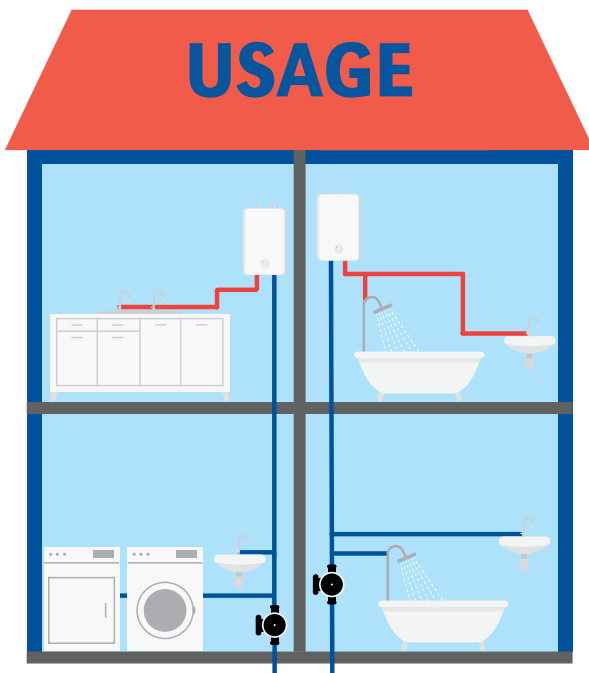
Performance range



Technical specification

Flow range, Q	up to 2,2 m ³ /h
Head range, H	up to 12,2 m
Diameter nominal, DN	15
Installation	threaded
Pipe thread	G 1
Insulation class	F
Degree of protection	IP 44
Voltage	1 - 230V, 50 Hz
P _{max} [W]	100
I _{max} [A]	0,8
Ambient temperature	+5°C to +40°C
Medium temperature	+5°C to +95°C

USAGE



Advantages:

- Automatic pressure boosting to satisfy water needs
- Inverter motor for high efficiency and total control
- ON/OFF button
- Low energy consumption
- Silent functioning
- No presence of a mechanical flow switch (no noise and a lower possibility of faults)
- Ceramic shaft and bearings for a longer working life
- Optional adapter for 200mm fitting length

***THE HONEST PRODUCT
FOR THE HONEST PRICE***

*IMP PUMPS d.o.o.
Pod hrasti 28
1218 Komenda
SLOVENIA*

*E: info@imp-pumps.com
T: +386 1 28 06 400
F: +386 1 28 06 460
www.imp-pumps.com*

Contact:



IMP PUMPS®
Intelligent Motor Pumps